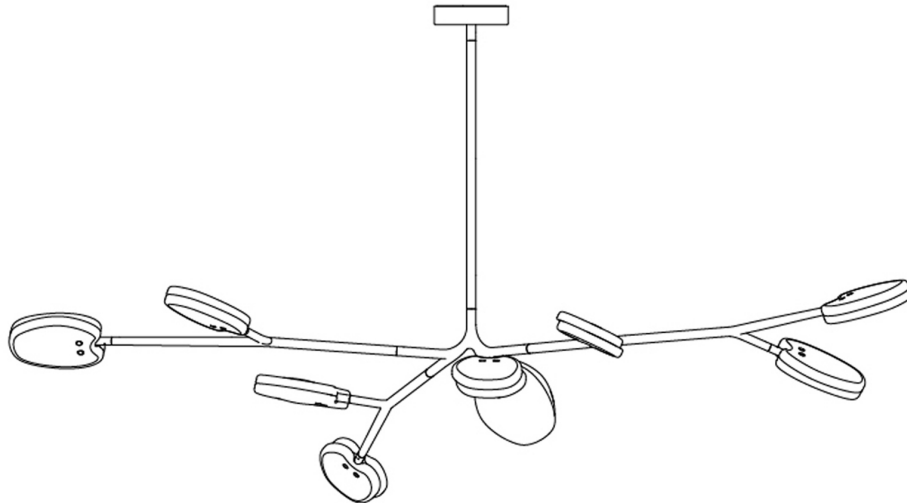


16.9A

OMER ARBEL FOR BOCCI



DESIGNER

Omer Arbel

MANUFACTURER

Bocci

ORIGIN

Canada

PRODUCTION

Made to Order

WEIGHT

61 lbs

DISCLAIMER

Unless otherwise noted when ordering, all chandeliers will be outfitted to be xenon compatible. For remote mounted canopies (mini and mini outie) unless otherwise specified, a single class 2 transformer will be sent for every 5 xenon fixtures or every 12 LED fixtures.

MATERIALS

Pour glass, matte black rubberized stainless steel armature, electrical components, matte black canopy.

DIMENSIONS

Canopy: Dia. 6.3" x H 1.6"

Overall Height: Available in 9.8" / 19.7" / 47.2" / 29.5 (attached with 2 pendants). Up to 98".

CUSTOMIZABLE

Custom options upon request.

ILLUMINATION

1.5w LED or 10w xenon.

SUSPENSION

Shortest and longest lengths must be provided and are recommended to be no less than 12 (300mm) apart to create an optimum cascade. Bocci will create a random selection of lengths throughout the minimum and maximum range provided.