

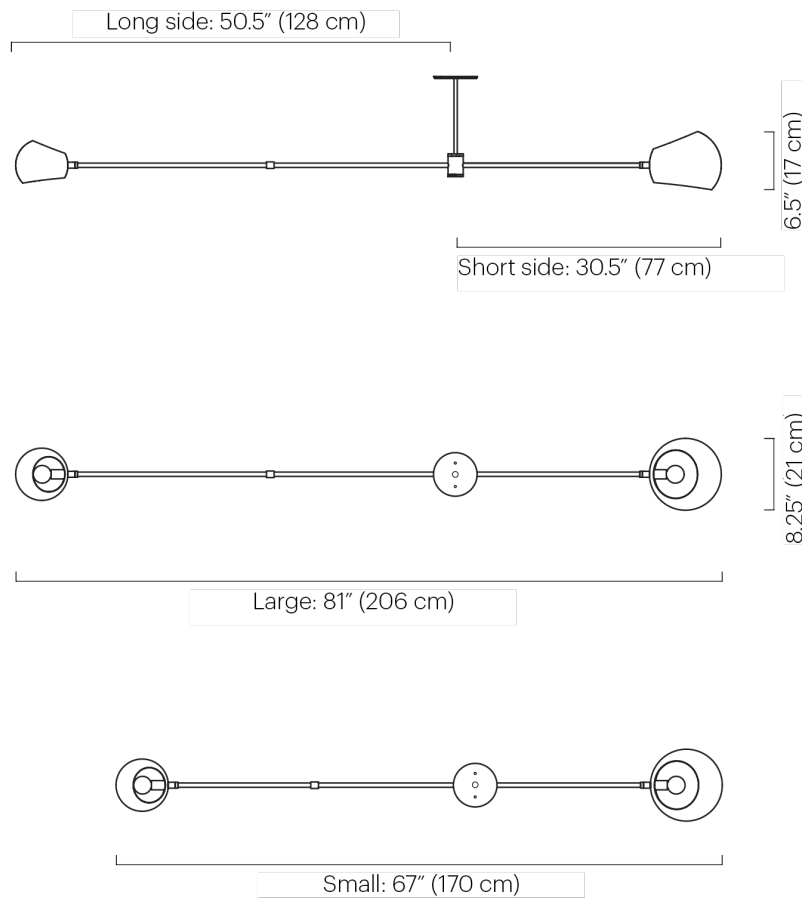
ACABA NO. 435

DAVID WEEKS



ACABA NO. 435

DAVID WEEKS



DESIGNER

David Weeks

ORIGIN

Made in the United States.

PRODUCTION

Made to Order

WEIGHT

10lbs

MATERIALS/FINISHES

Powder coated steel shades, powder coated steel frame, powder coated steel ceiling mount, powder coated steel drop.
Black Gloss (black gloss interior), Grey Gloss (grey gloss interior), White Gloss (white gloss interior) mount, frame and shade.
Custom colors available upon request.

DIMENSIONS

Fixture length options: Large: 81" / Small: 67"

Arm lengths from balance point (Large): Long side: 50.5", Short side: 30.5"

Arm lengths from balance point (Small): Long side: 43", Short side: 24"

Ceiling mount diameter: 5"

Minimum overall height: 6"

Small shade: Dia. 6" x H 5.5"

Large shade: Dia. 8.25" x H 6.5"

CARE

Additional weight support recommended for junction box installation. Indoor use and dry locations only.

ILLUMINATION

120V: (1) A19 or A15 medium base bulb and (1) G16.5 globe candelabra base bulb 60W max.

220-240V: (1) E27 base 60W max and (1) E14 base globe ball 60W max.