

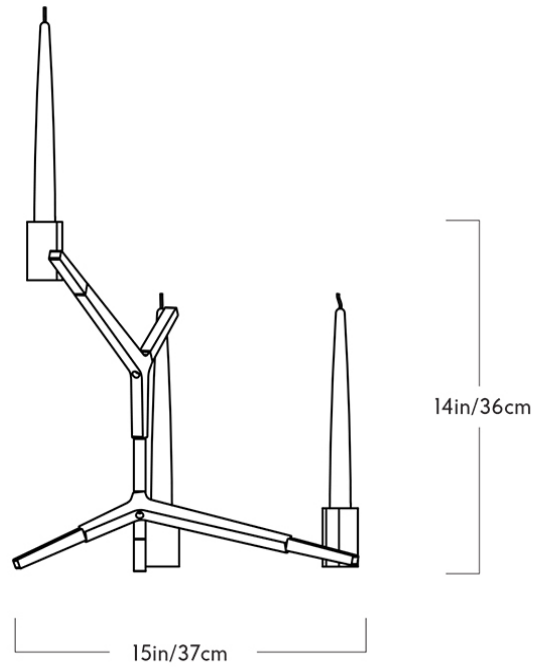
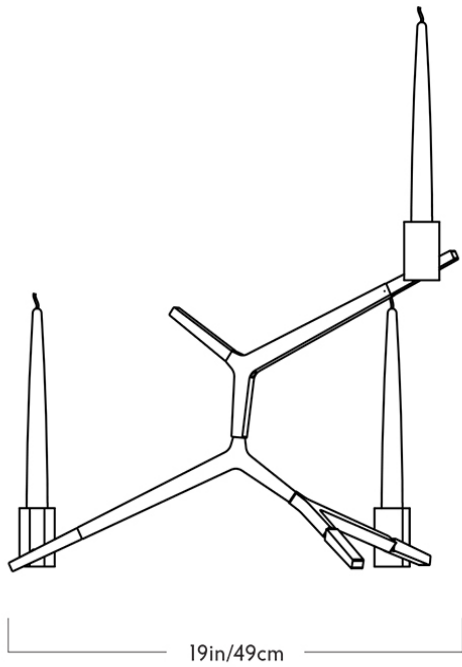
AGNES CANDELABRA TABLE — 3 CANDLES

LINDSEY ADELMAN FOR ROLL & HILL



AGNES CANDELABRA TABLE — 3 CANDLES

LINDSEY ADELMAN FOR ROLL & HILL



DESIGNER
Lindsey Adelman

MANUFACTURER
Roll & Hill

ORIGIN
United States

PRODUCTION
Made to Order

WEIGHT
2lbs

MATERIALS/FINISHES
Machined aluminum with black, bronze, polished nickel or brushed brass finish.

DIMENSIONS
W 19" x D 15" x H 14.5"

ILLUMINATION
Candles sold separately.