

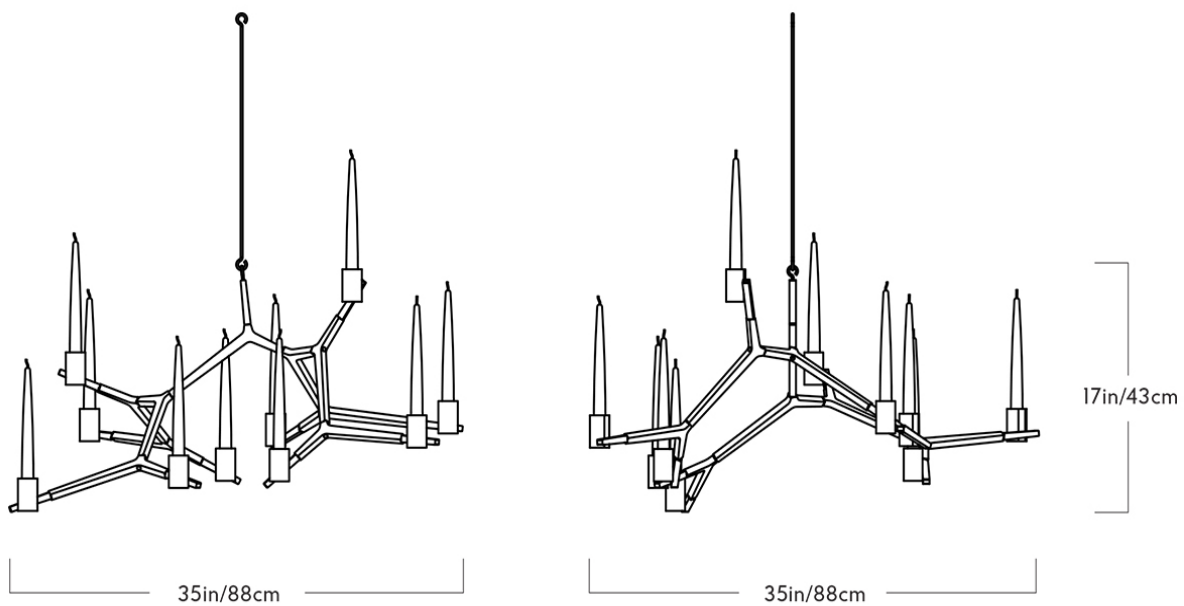
AGNES HANGING CANDELABRA – 10 CANDLES

LINDSEY ADELMAN FOR ROLL & HILL



AGNES HANGING CANDELABRA – 10 CANDLES

LINDSEY ADELMAN FOR ROLL & HILL



DESIGNER

Lindsey Adelman

MANUFACTURER

Roll & Hill

ORIGIN

United States

PRODUCTION

Made to Order

WEIGHT

6lbs

MATERIALS/FINISHES

Machined aluminum with black, bronze, polished nickel or brushed brass finish.

DIMENSIONS

W 35" x D 35" x H 17"

SUSPENSION

Custom hardware.

CANOPY

Dia 5" in matching finish.