

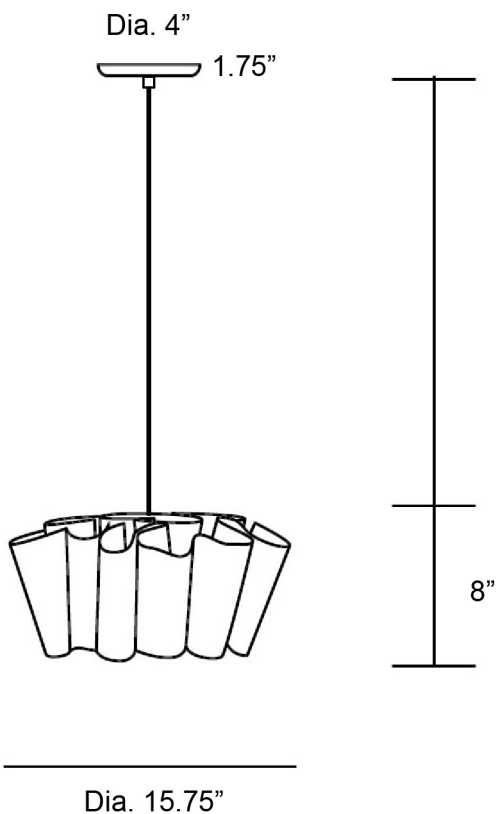
ANDERS PENDANT

PINCH



ANDERS PENDANT

PINCH



DESIGNER

Pinch

ORIGIN

United Kingdom

PRODUCTION

Made to Order

DATE

2008

WEIGHT

Small: 2.2 lbs., Medium: 5.5 lbs.,
Large: 11 lbs.

CERTIFICATIONS

CE, UL upon request.

DISCLAIMER

As a piece hand made from natural materials, each light is subject to variations in overall size, form and tone.

MATERIALS

Banana fibre shade, powder coated steel frame, and metal ceiling rose.

DIMENSIONS

Canopy: Dia. 4" x H 1.75"

Small: Dia. 15.75" x H 8"

Medium: Dia. 26" x H 14"

Large: Dia. 39.4" x H 16"

ILLUMINATION

E27/E26, Max 60W.

SUSPENSION

A 118" site-adjustable cord is included with purchase.