

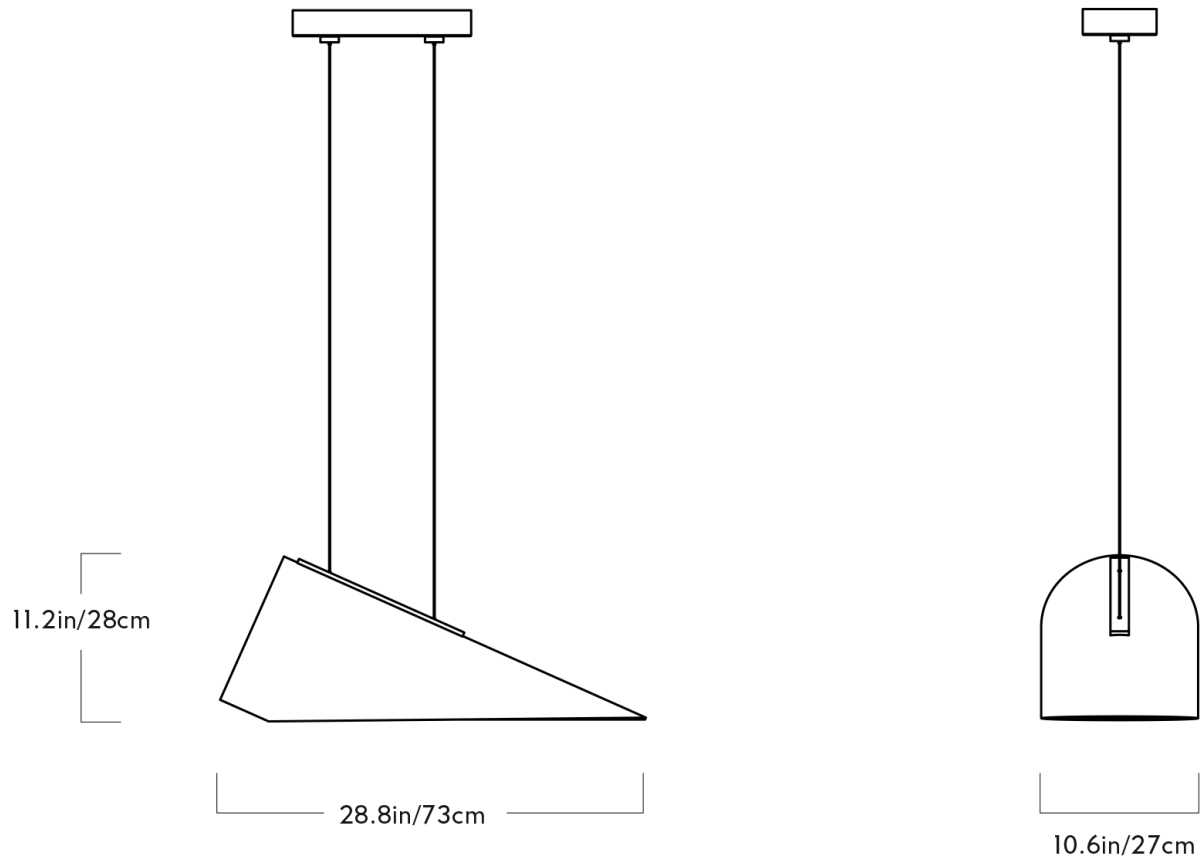
ARBOR PENDANT 01

KARL ZAHN FOR ROLL & HILL



ARBOR PENDANT 01

KARL ZAHN FOR ROLL & HILL



DESIGNER
Karl Zahn

MANUFACTURER
Roll & Hill

ORIGIN
United States

PRODUCTION
Made to Order

DATE
Designed in 2019

WEIGHT
10 lbs

CERTIFICATIONS
UL, cUL (120V), CE (240V).

MATERIALS
Aluminum, stainless steel, ebonized oak veneer. Blackened steel finish.

DIMENSIONS
L 28.8" x W 10.6" x H 11.2"

ILLUMINATION
120V/240V: Integrated LED, 11 Watts, 850 Lumens, 2700K, 90CRI Color Temperature, 50,000 Hours Bulb Life, TRIAC Electronic Low Voltage (ELV), 0-10V Dimming.

SUSPENSION
Ships with 8-foot aircraft cable.

CANOPY
L 12" x W 5" x H 1.8 pill-shaped canopy in matching metal finish