

ARIES PENDANT V.1

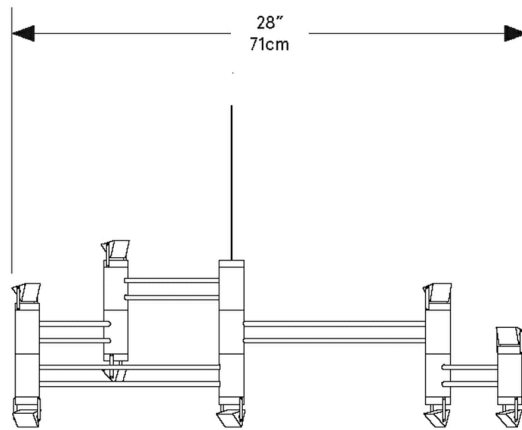
BEC BRITAIN



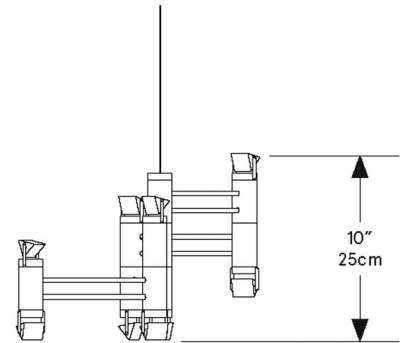
THE FUTURE PERFECT

ARIES PENDANT V.1

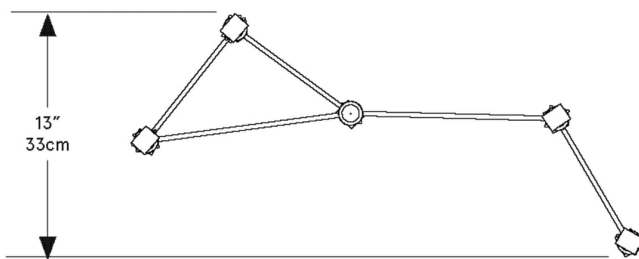
BEC BRITTAIN



FRONT



SIDE



PLAN

DESIGNER

Bec Brittain

ORIGIN

United States

PRODUCTION

Made to Order

DATE

2018

WEIGHT

4lbs

MATERIALS/FINISHES

Clear glass prism. Aluminum with Brushed Brass, Satin Nickel, Polished Nickel, Dark Pewter or Oil-Rubbed Bronze finish. Special order finishes upon request.

DIMENSIONS

W 28" x D 13" x H 10"

CUSTOMIZABLE

Customization upon request.

ILLUMINATION

110 - 240 VAC (277 VAC upon request).

24 VDC LED PCB: 13 Watts, 1,512 Lumens, 2700 Kelvin.

0-10V Dimming.

SUSPENSION

Aircraft cable to ceiling-mounted adjustable fasteners. One power / suspension cable to electrical connection. Variable suspension height.

CANOPY

Remote: 5" x 0.25" round in matching metal finish. Local: 6.5" x 1.5" round in matching metal finish on request