

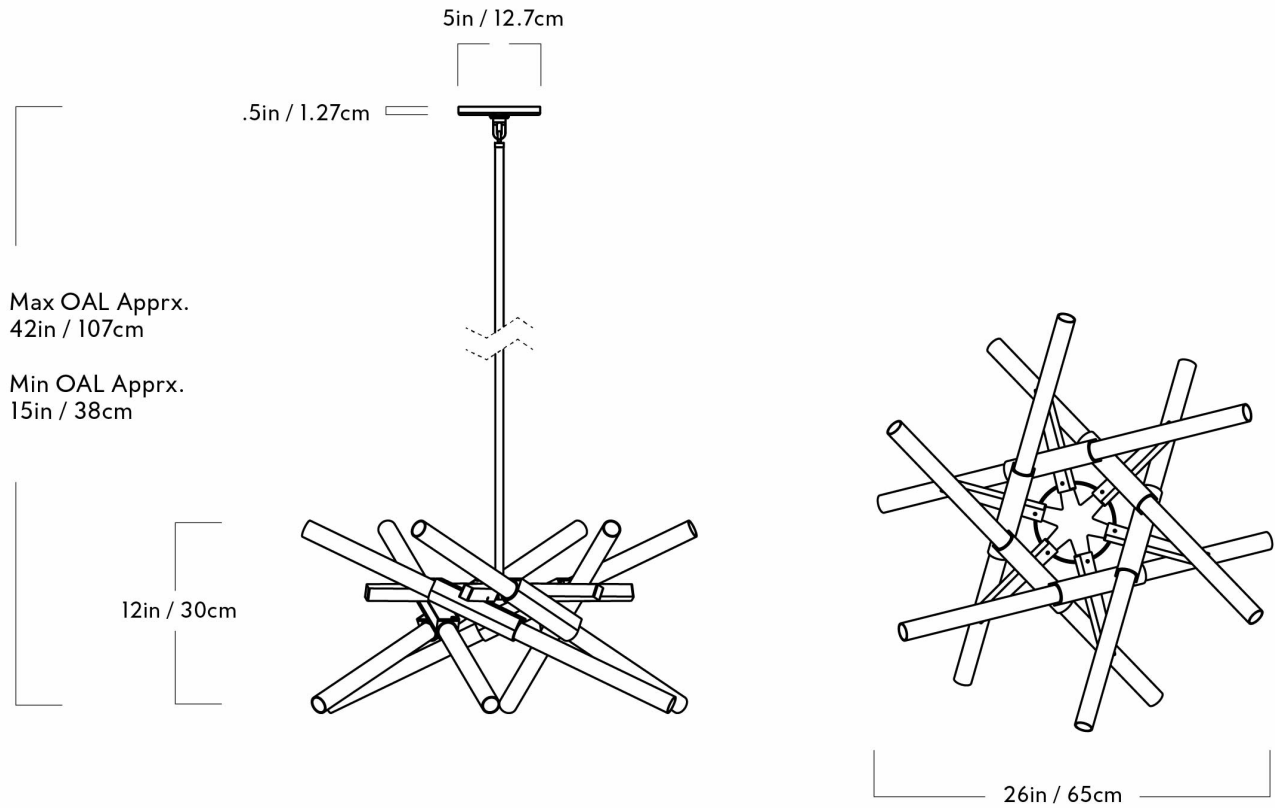
12-BULB ASTRAL AGNES ASTRAL.01

LINDSEY ADELMAN FOR ROLL & HILL



12-BULB ASTRAL AGNES ASTRAL.01

LINDSEY ADELMAN FOR ROLL & HILL



DESIGNER
Lindsey Adelman

MANUFACTURER
Roll & Hill

ORIGIN
United States

PRODUCTION
Made to Order

DATE
2010

WEIGHT
10 lbs.

CERTIFICATIONS
UL, cUL, CE, CB.

MATERIALS/FINISHES

Glass and machined aluminum, available in a black, bronze, polished nickel, or brushed brass finish.À

DIMENSIONS

Canopy: Dia. 5" x H .5"

Fixture: L 26" x W 26" x H 12"

Overall Height: Min: 15", Max: 42"

ILLUMINATION

120V/240V: R&H LED Bulb, G9 12 x 3 Watt LED,À 36 Watts, 1200 Lumens, 2700 Kelvin, CRI 90+, Triac or ELV Dimming.

SUSPENSION

A 35" site-adjustable stem is included with purchase. The aluminum stem will come in matching metal finish. Custom stem lengths are available at an additional cost.