

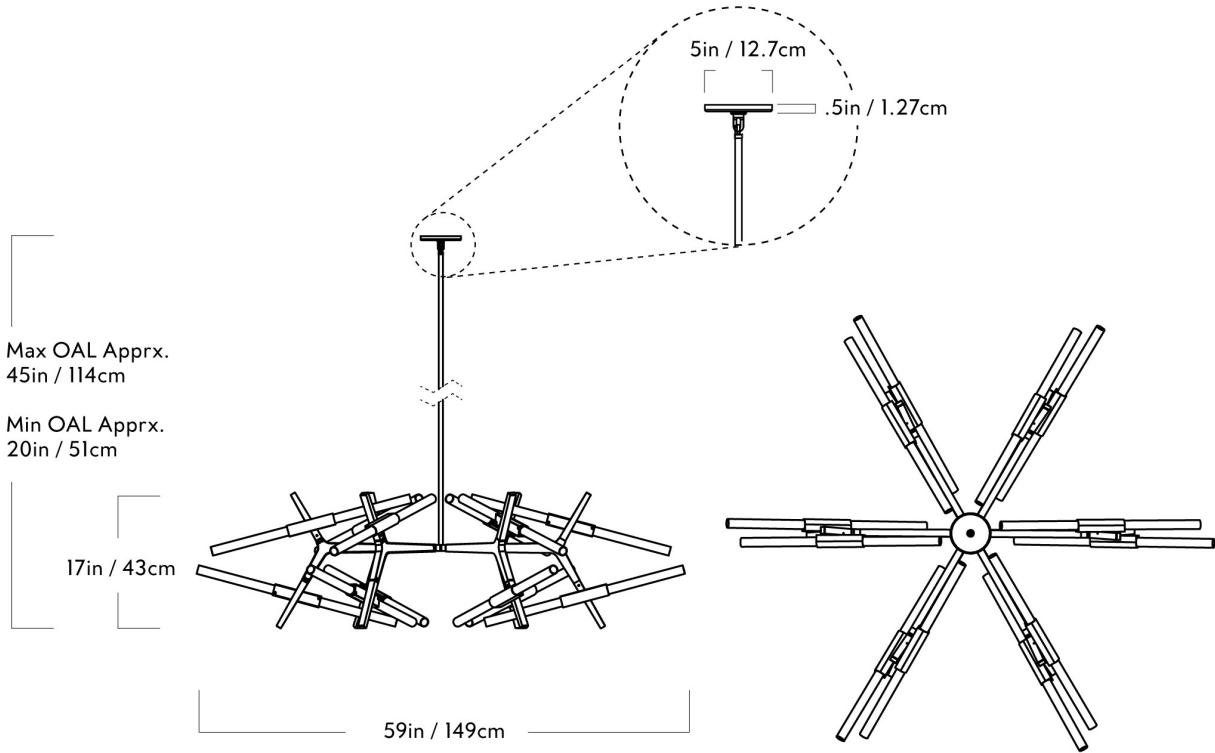
# 24-BULB ASTRAL AGNES ASTRAL.03

LINDSEY ADELMAN FOR ROLL & HILL



# 24-BULB ASTRAL AGNES ASTRAL.03

LINDSEY ADELMAN FOR ROLL & HILL



DESIGNER  
Lindsey Adelman

MANUFACTURER  
Roll & Hill

ORIGIN  
United States

PRODUCTION  
Made to Order

DATE  
2010

WEIGHT  
20 lbs.

CERTIFICATIONS  
UL, cUL (120V). CE, CB (240V).

#### MATERIALS

Glass and machined aluminum, available in a black, bronze, polished nickel, or brushed brass finish.

#### DIMENSIONS

Canopy: Dia. 5" x H .5"  
Fixture: Dia. 59" x H 17"  
Overall Height: Min: 20", Max: 45"

#### ILLUMINATION

120V/240V: R&H LED Bulb, G9 24 x 3 Watt LED, 72 Watts, 2400 Lumens, 2700 Kelvin, CRI 90+, 50,000 Hours Bulb Life, Triac or ELV Dimming.

#### SUSPENSION

A 35" site-adjustable stem is included with purchase. The aluminum stem will come in matching metal finish. Custom stem lengths are available at an additional cost.