

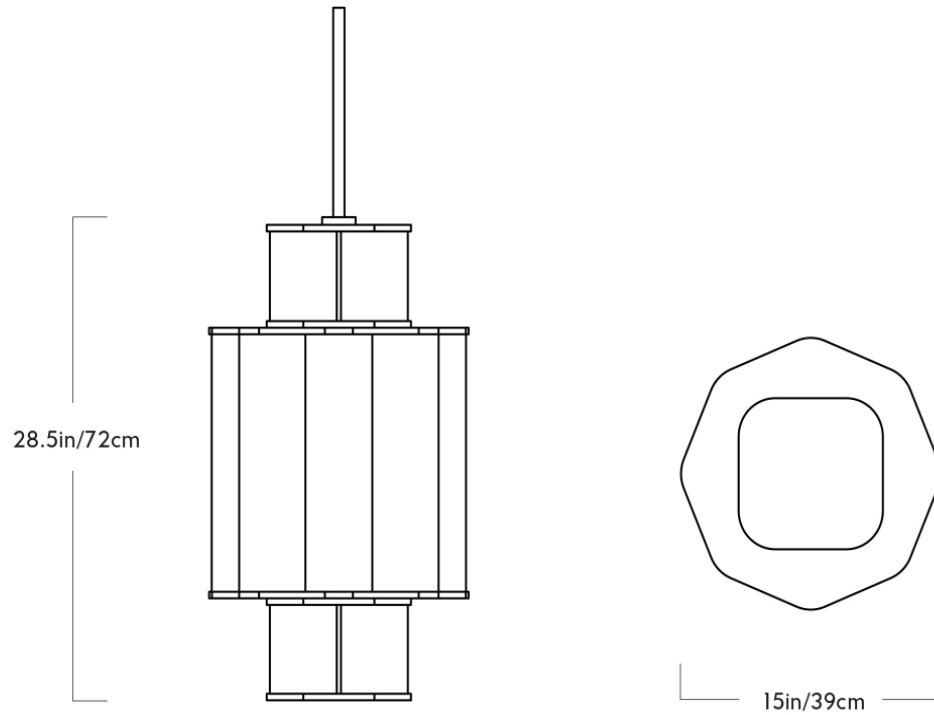
BAUER CHANDELIER 01

JASON MILLER FOR ROLL & HILL



BAUER CHANDELIER 01

JASON MILLER FOR ROLL & HILL



DESIGNER
Jason Miller

MANUFACTURER
Roll & Hill

ORIGIN
United States

PRODUCTION
Made to Order

DATE
2017

WEIGHT
45 lbs.

CERTIFICATIONS
UL, cUL (120V). CE (240V).

MATERIALS/FINISHES

White glass and machined aluminum, available in blackened steel, oil-rubbed bronze, or brushed brass finish.

DIMENSIONS

Canopy: Dia. 5" x H 1.5"
Fixture: Dia. 15" x H 28.5"
Overall Height: Adjustable up to 65"

ILLUMINATION

120V/240V: LED, 40 Watts, 1300 Lumens, 2700 Kelvin, 90+ CRI, 50,000 Bulb Life Hours, Triac ELV or 0-10V Dimming.

SUSPENSION

A 35" site-adjustable stem is included with purchase. The aluminum stem will come in matching metal finish. Custom stem lengths are available at an additional cost.