

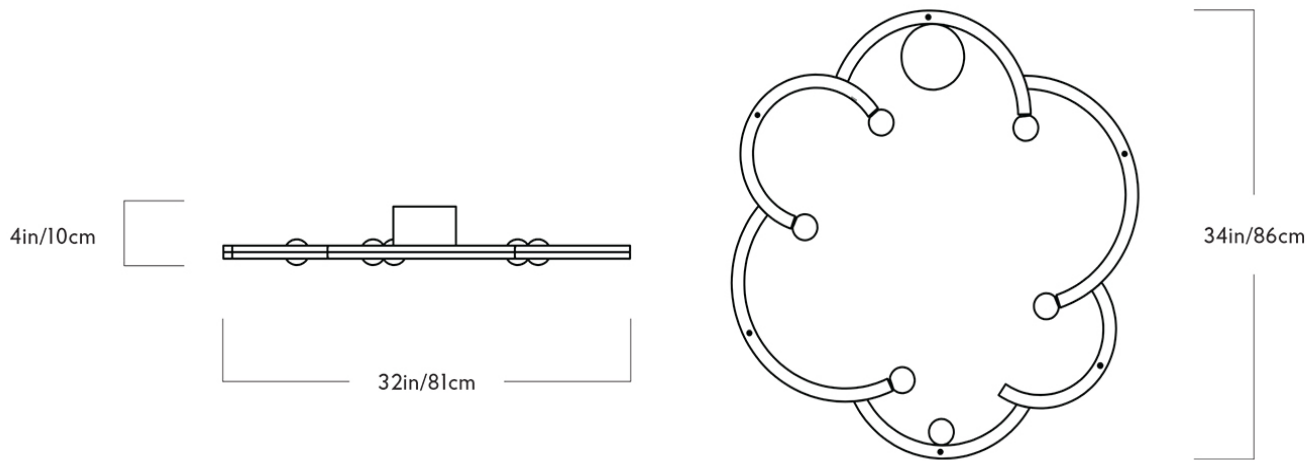
BLOW CEILING MOUNT

LINDSEY ADELMAN FOR ROLL & HILL



BLOW CEILING MOUNT

LINDSEY ADELMAN FOR ROLL & HILL



DESIGNER
Lindsey Adelman

MANUFACTURER
Roll & Hill

ORIGIN
United States

PRODUCTION
Made to Order

DATE
Designed in 2011

WEIGHT
9lbs

CERTIFICATIONS
UL, cUL (120V)

DISCLAIMER
Bulbs are included.

MATERIALS/FINISHES
Machined aluminum. Black, bronze, powder-coat gray, polished nickel or brushed brass finish.

DIMENSIONS
W 32" x D 34" x H 4"

ILLUMINATION
LED (120V): E12 Bulb, 5 x 3 Watt G16.5, 125 Watts, 800 Lumens, 2700 Kelvin, Triac or ELV dimming.

SUSPENSION
Flush mount with two hanging points. 3" drop