

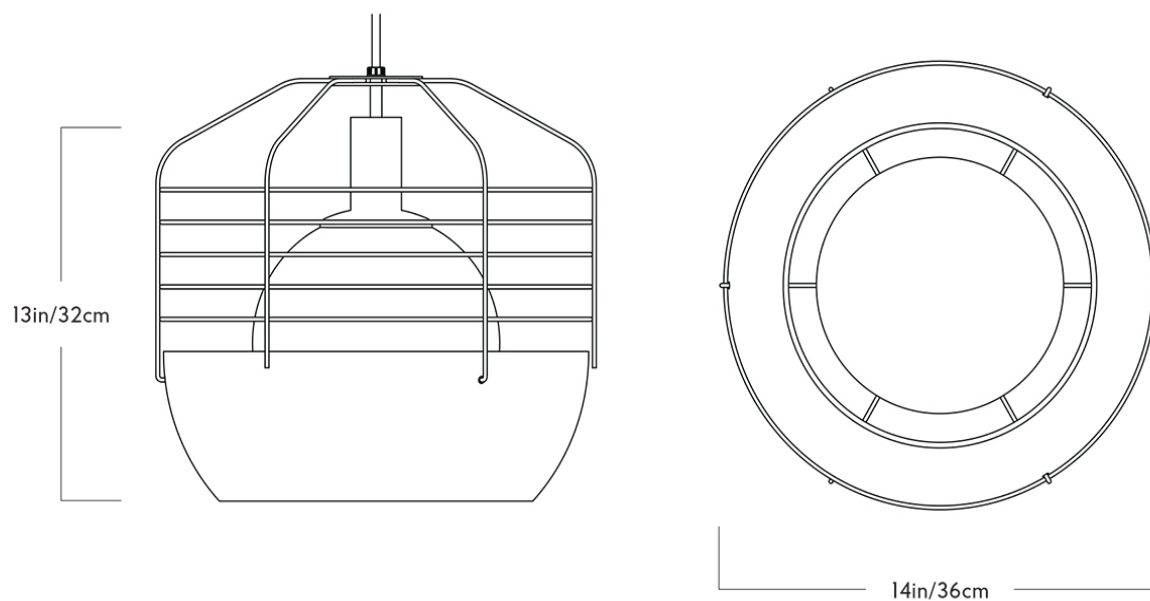
BLUFF CITY 14

JONAH TAKAGI FOR ROLL & HILL



BLUFF CITY 14

JONAH TAKAGI FOR ROLL & HILL



DESIGNER

Jonah Takagi

MANUFACTURER

Roll & Hill

ORIGIN

United States

PRODUCTION

Made to Order

WEIGHT

4lbs

CERTIFICATIONS

UL, cUL (120V) CE, CB (240V) UL, cUL,
CE, CB (Universal)

MATERIALS/FINISHES

Powder-coated and plated steel. Mint/red, cream/brown or white/brass.

DIMENSIONS

Dia 14" x H 13"

ILLUMINATION

120V/240V: E26/E27, 60 Watt G40, 550 Lumens, 2700 Kelvin, Triac or ELV Dimmer. Bulb is not included.

SUSPENSION

Ships with 8' cord.

CANOPY

5" round in white.