

3-GLOBE BRANCHING BUBBLES BB.03.14

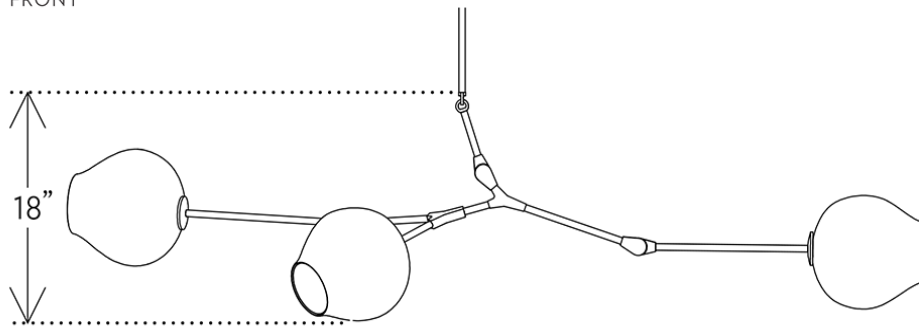
LINDSEY ADELMAN



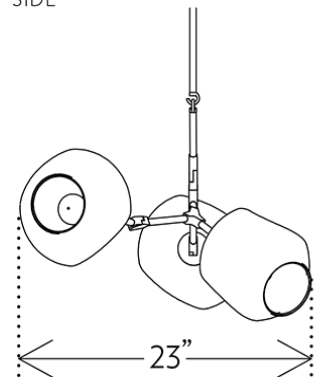
3-GLOBE BRANCHING BUBBLES BB.03.14

LINDSEY ADELMAN

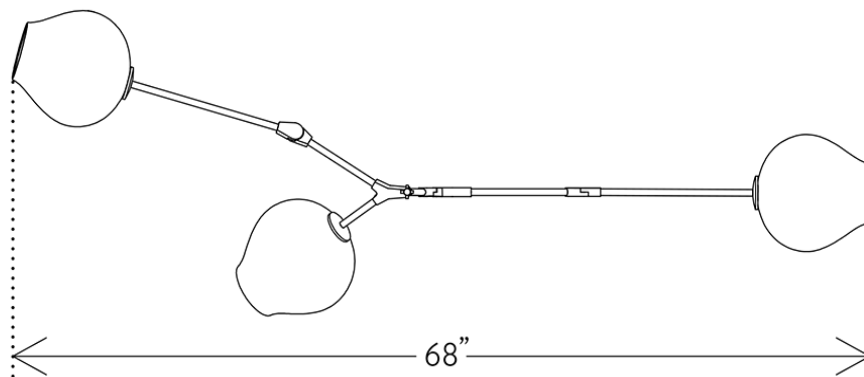
FRONT



SIDE



TOP



DESIGNER
Lindsey Adelman

ORIGIN
United States

PRODUCTION
Made to Order

WEIGHT
12 lbs.

CERTIFICATIONS
UL, cUL, CE, CB.

MATERIALS/FINISHES

Machined brass with brushed brass, oil-rubbed bronze, vintage brass or satin nickel finish. Clear, grey or white glass.

DIMENSIONS

Canopy: Dia. 5" x H .25"
Fixture: L 68" x W 23" x H 18"
Overall Height: Min: 20", Max: 90.25"

ILLUMINATION

110V: LED Globe, E26, 6W, Max 180W, 2500K, dimmable.
220V: LED Globe, E27, 6W, Max 180W, 2500k, dimmable.

SUSPENSION

Includes 36" or 72" stem, adjustable on-site. Longer lengths available upon request.