

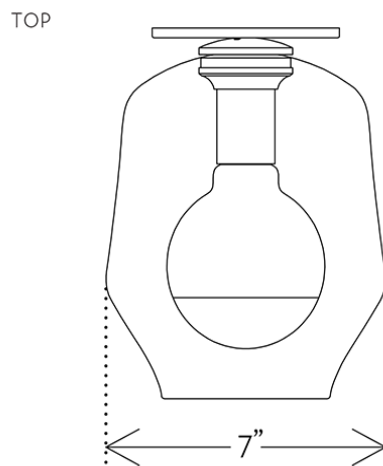
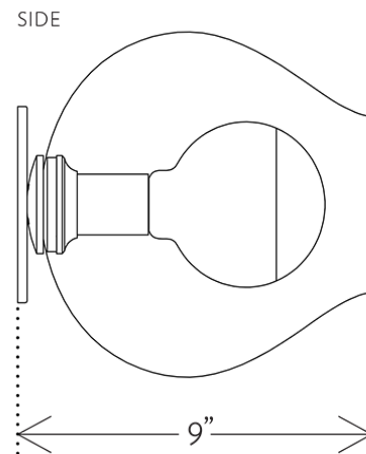
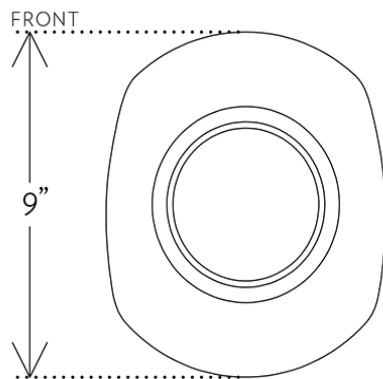
BRANCHING SCONCE SC.01.06

LINDSEY ADELMAN



BRANCHING SCONCE SC.01.06

LINDSEY ADELMAN



DESIGNER
Lindsey Adelman

ORIGIN
United States

PRODUCTION
Made to Order

WEIGHT
4lbs

MATERIALS/FINISHES
Machined brass with brushed brass, oil-rubbed bronze, vintage brass or satin nickel finish. Clear, grey or white glass.

DIMENSIONS
W 7" x D 9" x H 9"
Globe: Dia 9"

ILLUMINATION
110V: G80 Globe, e26, 4w.
220V: G80 Globe, e27, 4w.

BACKPLATE
Dia 5" x H .25"