

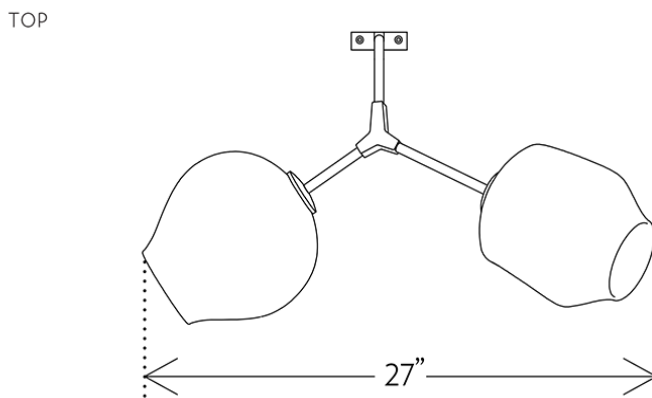
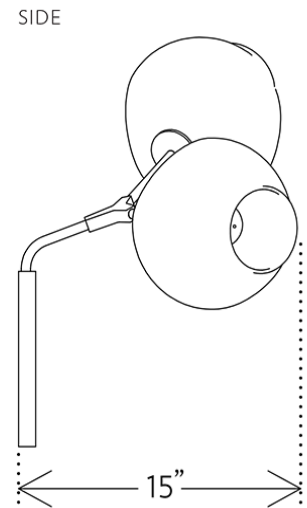
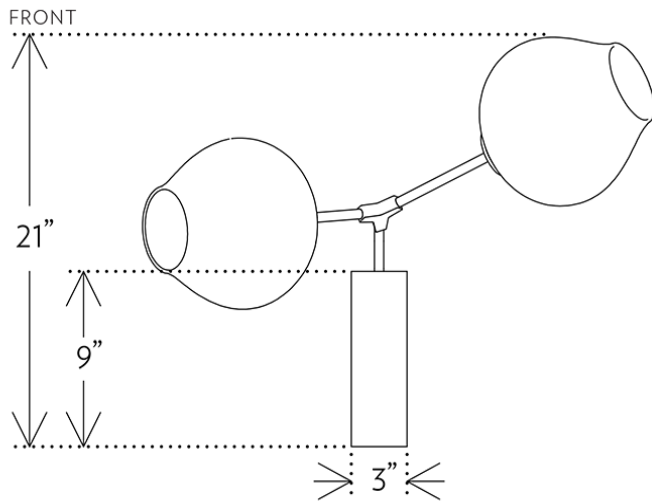
# BRANCHING SCONCE SC.02.01

LINDSEY ADELMAN



# BRANCHING SCONCE SC.02.01

LINDSEY ADELMAN



DESIGNER  
Lindsey Adelman

ORIGIN  
United States

PRODUCTION  
Made to Order

WEIGHT  
12lbs

MATERIALS/FINISHES  
Machined brass with brushed brass, oil-rubbed bronze, or vintage brass finish. Clear glass.

DIMENSIONS  
W 27" x D 15" x H 21"  
Globes: Dia 9"

Please note that dimensions are approximate; the hand-blown globes have a natural variation in size.

ILLUMINATION  
120V: Quad Loop Edison, e26, 60w.  
220/230V: Quad Loop Edison, e27, 60w.

BACKPLATE  
H 9" x W 3" Back plate with mounting insert, hardwired.