

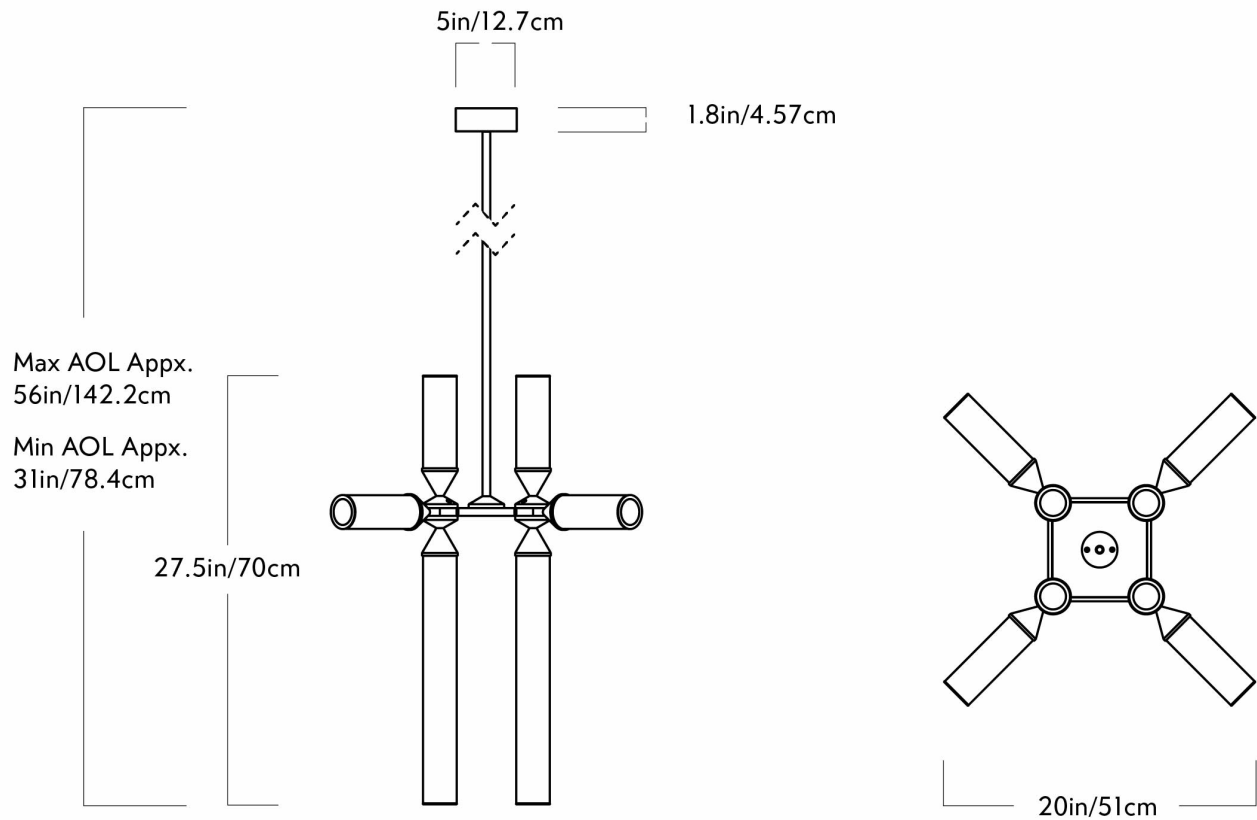
# CASTLE 12-02

JASON MILLER FOR ROLL & HILL



# CASTLE 12-02

JASON MILLER FOR ROLL & HILL



DESIGNER  
Jason Miller

MANUFACTURER  
Roll & Hill

ORIGIN  
United States

PRODUCTION  
Made to Order

WEIGHT  
12.5 lbs.

CERTIFICATIONS  
UL, cUL (120V). CE, CB (240V).

MATERIALS/FINISHES  
Machined aluminum with black, bronze, or brushed brass finish. Clear, smoke, or cream glass.

DIMENSIONS  
Canopy: Dia. 5" x H 1.8"  
Fixture: L 20" x W 20" x H 27.5"  
Overall Height: Min: 31", Max: 56"

ILLUMINATION  
120V/240V: Integrated LED, 45 Watts, 2950 Lumens (Clear), 2300 Lumens (Cream), 900 Lumens (Smoke), 2700 Kelvin, 90 CRI, 50,000 life hours, TRIAC, ELV or 0-10V dimming.

SUSPENSION  
A 35" site-adjustable stem is included with purchase. The aluminum stem will come in matching metal finish. Custom stem lengths are available at an additional cost.