

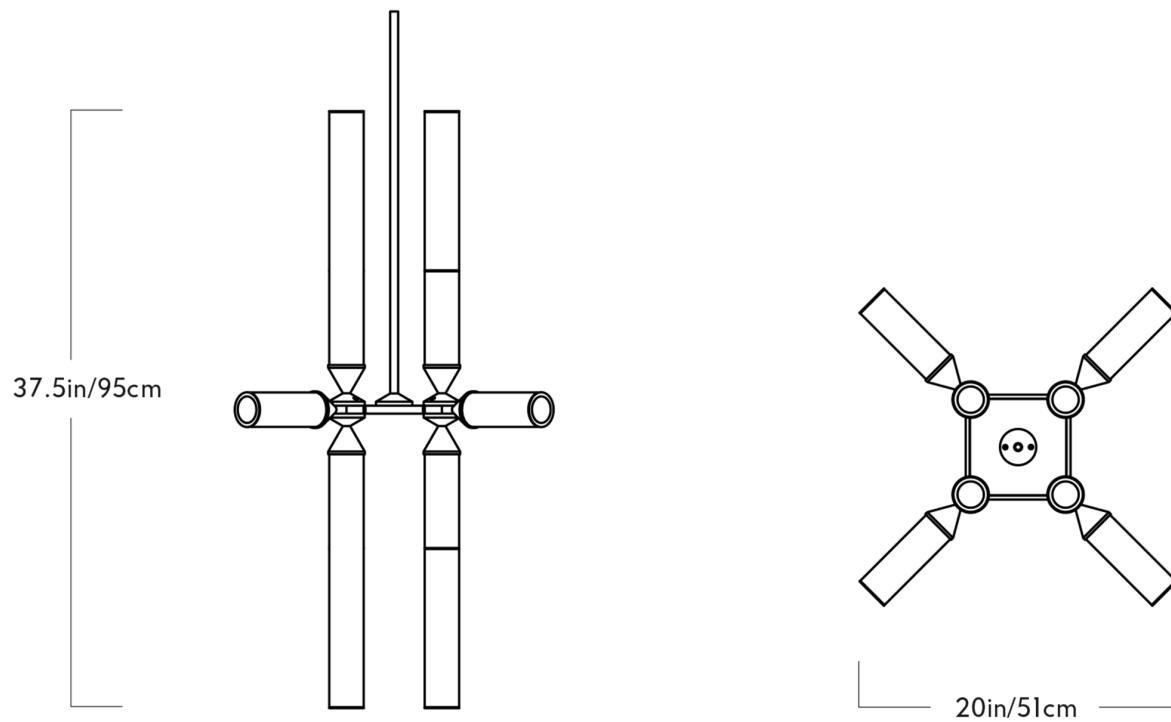
CASTLE 12-03

JASON MILLER FOR ROLL & HILL



CASTLE 12-03

JASON MILLER FOR ROLL & HILL



DESIGNER
Jason Miller

MANUFACTURER
Roll & Hill

ORIGIN
United States

PRODUCTION
Made to Order

WEIGHT
12.5lbs

CERTIFICATIONS
UL, cUL (120V)

MATERIALS/FINISHES

Machined aluminum with black, bronze, polished nickel or brushed brass finish. Clear, smoke or cream glass.

DIMENSIONS

W 20" x D 20" x H 37.5"

ILLUMINATION

120V/240V: Integrated LED, 45 Watts, 2950 Lumens (Clear), 2300 Lumens (Cream), 900 Lumens (Smoke), 2700 Kelvin color temperature, 50,000 life hours, 0-10V or ELV dimming.

SUSPENSION

.5" steel stem in matching metal finish. 35" length included with lamp. 96" length available for additional cost. Stem length can be adjusted on site.

CANOPY

Dia 5" x H 1.5" in matching metal finish.