

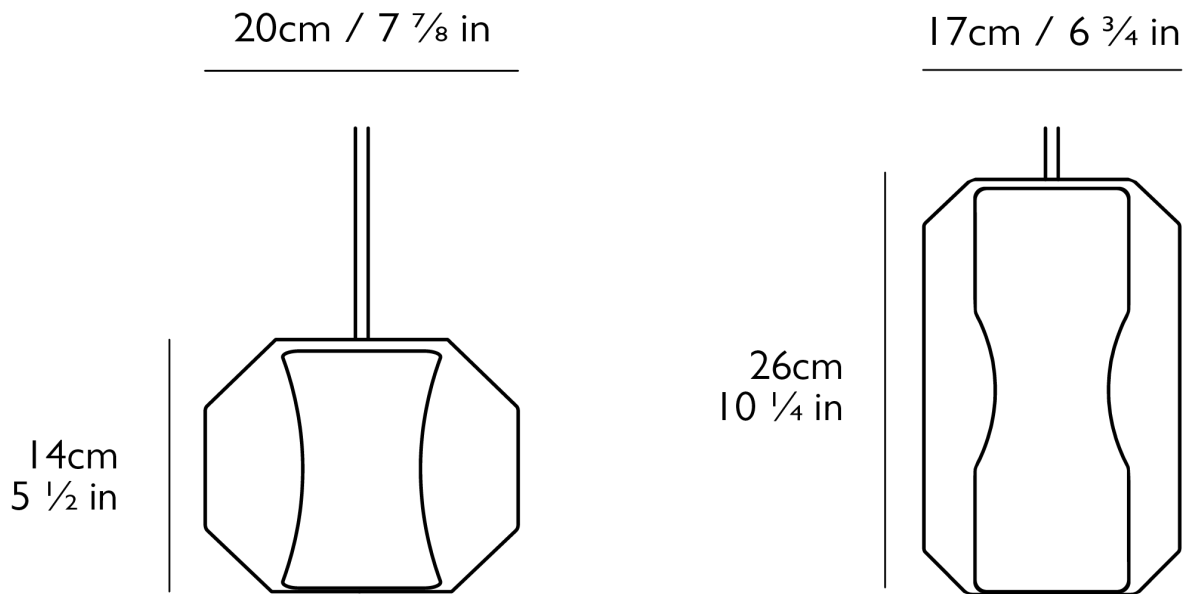
CHAMBER LIGHT SMALL

LEE BROOM



CHAMBER LIGHT SMALL

LEE BROOM



DESIGNER
Lee Broom

ORIGIN
United Kingdom

DATE
2014

WEIGHT
5.9 lbs.

CERTIFICATIONS
UL, cUL (110-130V). CE, CB (220-240V).

MATERIALS/FINISHES
Carrara marble, crystal, and steel.

DIMENSIONS
Canopy: Dia. 4.7" x H 1.1"
Fixture: Dia. 7.8" x H 5.5"
Overall Height: Adjustable up to 124.6"

ILLUMINATION
110-130V: 1 x 4W LED bulbs supplied, E26/E27, 470lm, 2700K, CRI 82, 25000 bulb life hours, dimmable.
220-240V: 1 x 6.3W LED bulbs supplied, E26/E27, 470lm, 2700K, CRI 80, 25000 bulb life hours, dimmable.

SUSPENSION
A 118" site-adjustable cord is included with purchase.