

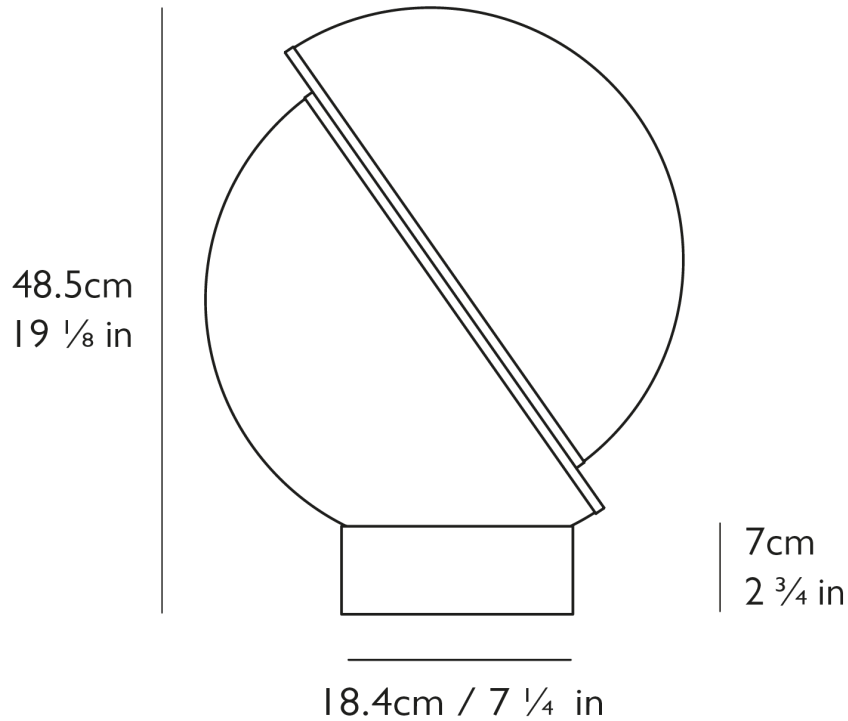
CRESCENT TABLE LIGHT

LEE BROOM



CRESCENT TABLE LIGHT

LEE BROOM



DESIGNER
Lee Broom

ORIGIN
United Kingdom

DATE
2015

WEIGHT
7lbs

CERTIFICATIONS
UL, cUL (110-130V)
CE, CB (220-240V)

MATERIALS
Opal acrylic, brushed brass and gold fabric cable with brushed brass base.

DIMENSIONS
H 19" x Dia 15"

ILLUMINATION
Illumination 110-130V:
Bulb: E26, 11 Watt LED, 1100 Lumens, 10,000 Hour Bulb Life (1x supplied). 2700 Kelvin.
TRIAC Dimming.
Illumination 220-240V:
Bulb: E27, 13 Watt LED, 1050 Lumens, 10,000 Hour Bulb Life (1x supplied). 2700 Kelvin.
TRIAC Dimming.

BASE
H 2.75" x Dia 7.25" round steel in brushed brass finish.