

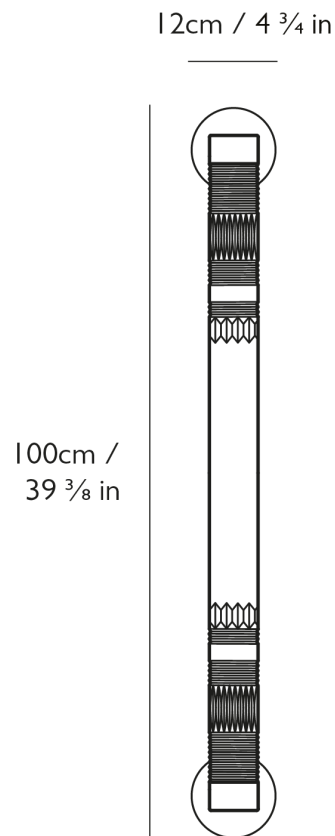
CRYSTAL TUBE WALL LIGHT

LEE BROOM



CRYSTAL TUBE WALL LIGHT

LEE BROOM



DESIGNER

Lee Broom

ORIGIN

United Kingdom

DATE

2015

WEIGHT

6.2 lbs

CERTIFICATIONS

UL, cUL (110-130V)

CE, CB (220-240V)

MATERIALS

Lead crystal and steel with Brushed Brass or Polished Chrome finish.

DIMENSIONS

H 2.8" x L 38.3"

ILLUMINATION

Illumination 110-130V:

15 Watt LED strip, 2700 Kelvin, 800 Lumens, 110-130vAC Input / 24vDC Output.

Supplied with separate transformer.

TRIAC Dimming.

Illumination 220-240V:

15 Watt LED strip, 2700 Kelvin, 800 Lumens, 220-240vAC Input / 24vDC Output.

Supplied with separate transformer.

TRIAC Dimming.

SUSPENSION

118" adjustable cord with transparent casing.

CANOPY