

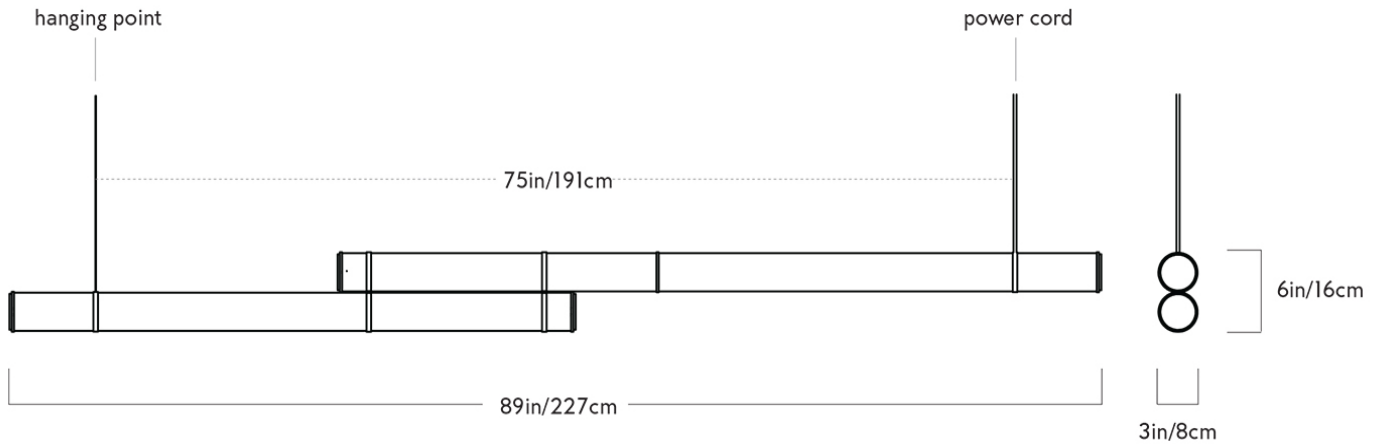
DOUBLE MINI ENDLESS

JASON MILLER FOR ROLL & HILL



DOUBLE MINI ENDLESS

JASON MILLER FOR ROLL & HILL



DESIGNER

Jason Miller

MANUFACTURER

Roll & Hill

ORIGIN

United States

PRODUCTION

Made to Order

WEIGHT

18lbs

MATERIALS

Acrylic, brass and wood. Blackened steel, oil-rubbed bronze, polished nickel or polished brass. Gray or stained oak.

DIMENSIONS

W 3" x D 89" x H 6"

ILLUMINATION

1120V/240V: Integrated LED, 52 Watts, 1950 Lumens, 2700 Kelvin, 50,000 Hour, Bulb Life, ELV Dimming

SUSPENSION

Aircraft cable and electric cord. Ships with 8-foot cord.

CANOPY

5" round in matching metal finish. Hanging hardware: 2" round in matching metal finish.