

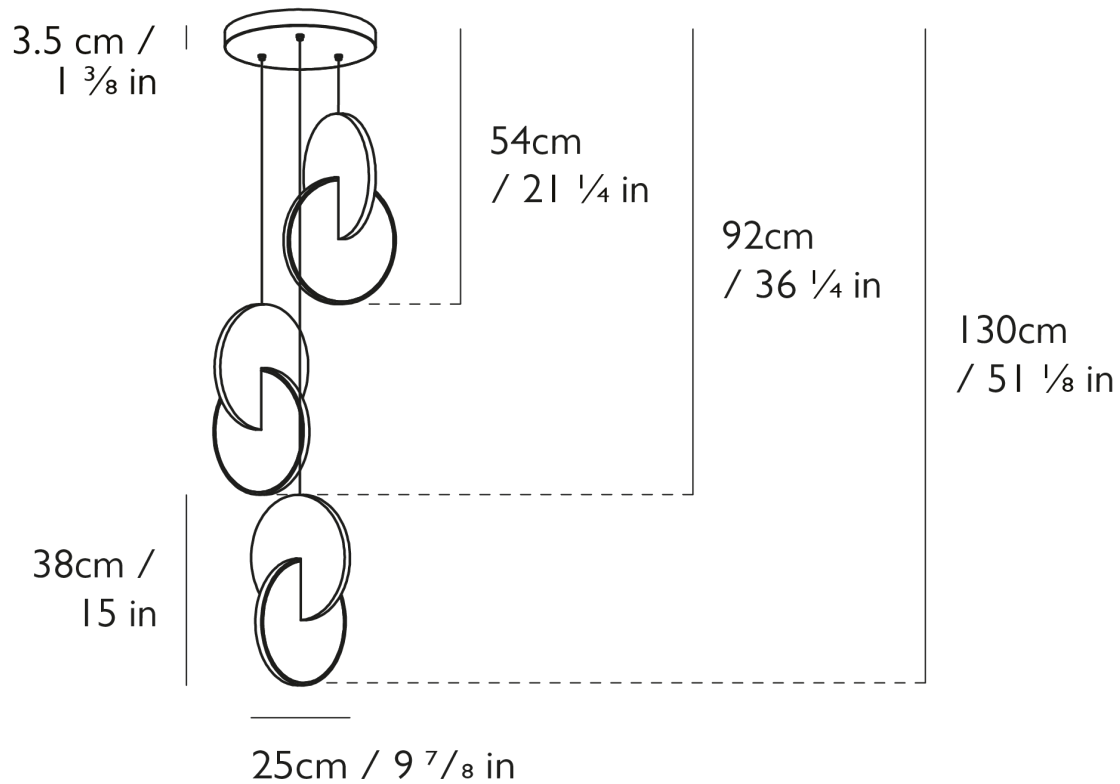
ECLIPSE CHANDELIER 3 PIECE — POLISHED GOLD

LEE BROOM



ECLIPSE CHANDELIER 3 PIECE – POLISHED GOLD

LEE BROOM



DESIGNER

Lee Broom

ORIGIN

United Kingdom

PRODUCTION

Made to Order

MATERIALS

Opal acrylic and steel with polished gold finish.

DIMENSIONS

H 15" x W 9.88" x D 9.88"

ILLUMINATION

30 Watts, 2700 Kelvin, supplied with separate transformer.

Voltage: 220-240V or 110-130V.

SUSPENSION

118" adjustable cable with clear outer and tensile.