

EDIE FLUSHMOUNT ED.08.03

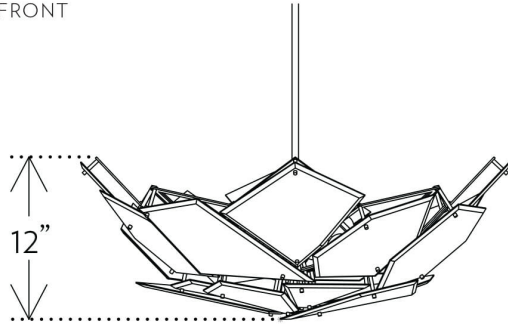
MARY WALLIS



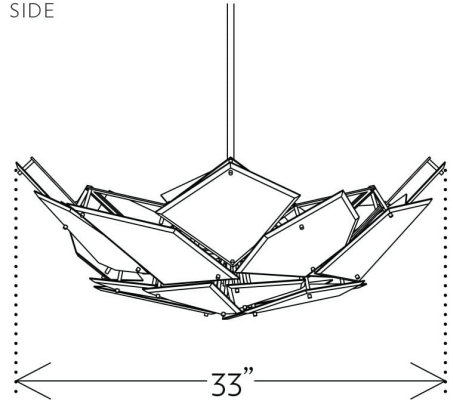
EDIE FLUSHMOUNT ED.08.03

MARY WALLIS

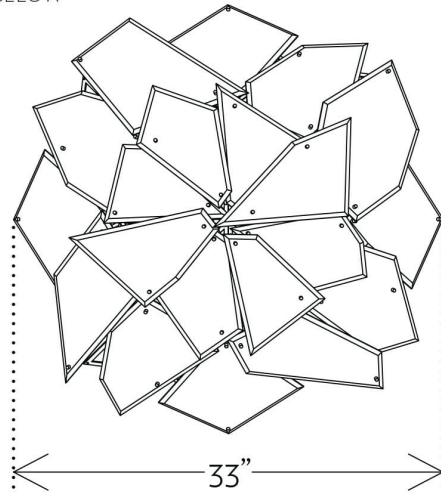
FRONT



SIDE



FROM BELOW



DESIGNER

Mary Wallis

ORIGIN

United States

PRODUCTION

Made to Order

WEIGHT

25lbs

DISCLAIMER

Bulbs are included with this fixture.

MATERIALS/FINISHES

Brass hardware with brushed brass, vintage brass, satin nickel or oil-rubbed bronze metal finish. Hand-cut and beveled glass in clear, white, bronze or grey.

DIMENSIONS

W 33" x D 33" x H 14"

ILLUMINATION

120V Clear or Grey Glass: Vintage-style Edison, E12, 25w.

120V White Glass: Frosted Ping Pong, E12, 25w.

220V Clear or Grey Glass: Vintage-style Edison, E14, 40w.

220V White Glass: Frosted Ping Pong, E14, 40w.

CANOPY

Dia 5" x H .25"