

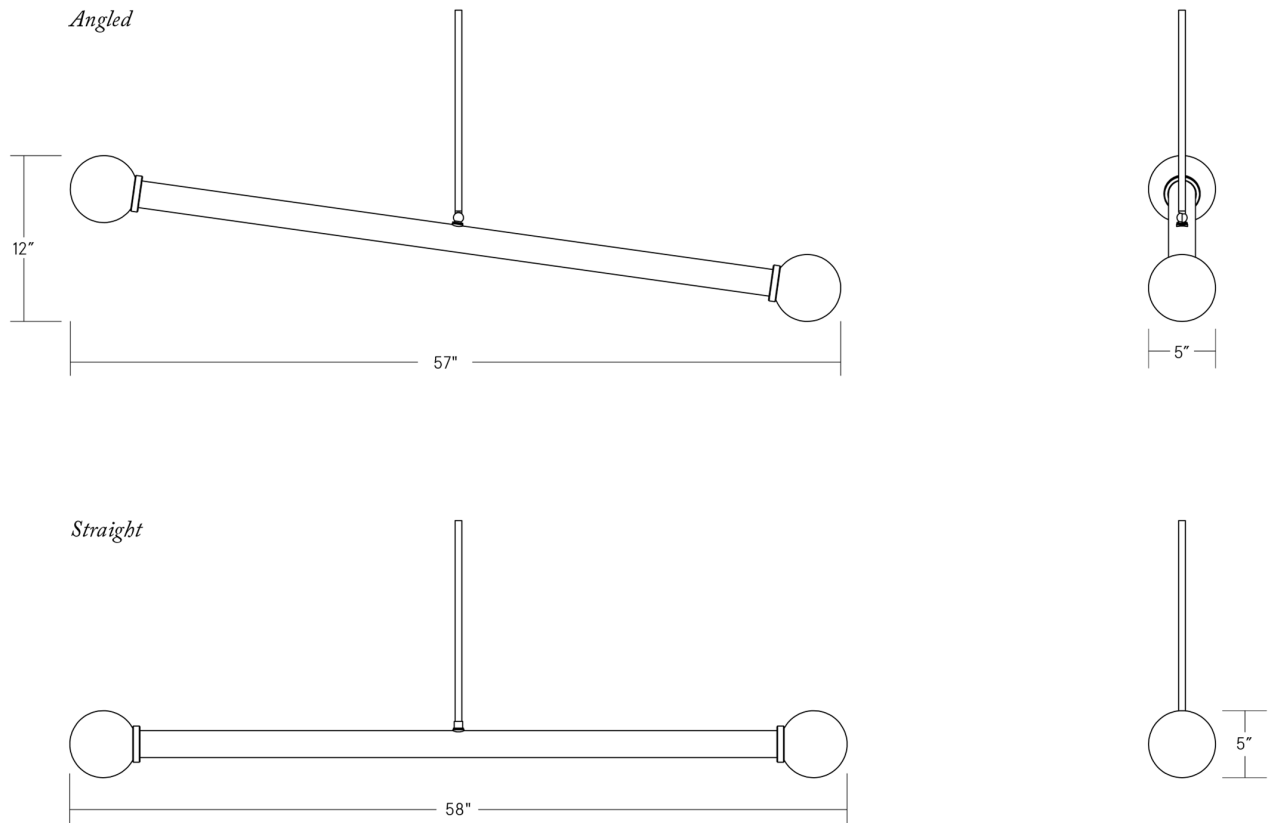
ELMA SINGLE

TRUEING



ELMA SINGLE

TRUEING



MANUFACTURER

Trueing

ORIGIN

United States

PRODUCTION

Made to Order

DATE

2019

CERTIFICATIONS

UL upon request.

MATERIALS/FINISHES

Brushed Brass, Satin Nickel, Polished Nickel, Oil Rubbed Bronze. Charcoal Grey, Opaque White, Amber, Emerald Green, Topaz Yellow or Pink glass. Also available with sandblasted finish.

DIMENSIONS

Small: L 36" x W 5" x H 5"

Medium: L 49" x W 5" x H 5"

Large: L 58" x W 5" x H 12"

Globe: Dia 5"

Height is based on angled orientation. Tube arrangement and orientation can be customized.

CUSTOMIZABLE

Tube color, globe color, metal finish, tube length, tube arrangement/orientation are customizable.

ILLUMINATION

Dimmable G9 LED Bulb, 2700K, 6 Watts, 840 Lumens, 12 Watts, Electronic Low Voltage dimming. Lutron CL dimmer recommended.

SUSPENSION

Standard 30" stem; can be cut to size on-site. Longer stems available upon request.