

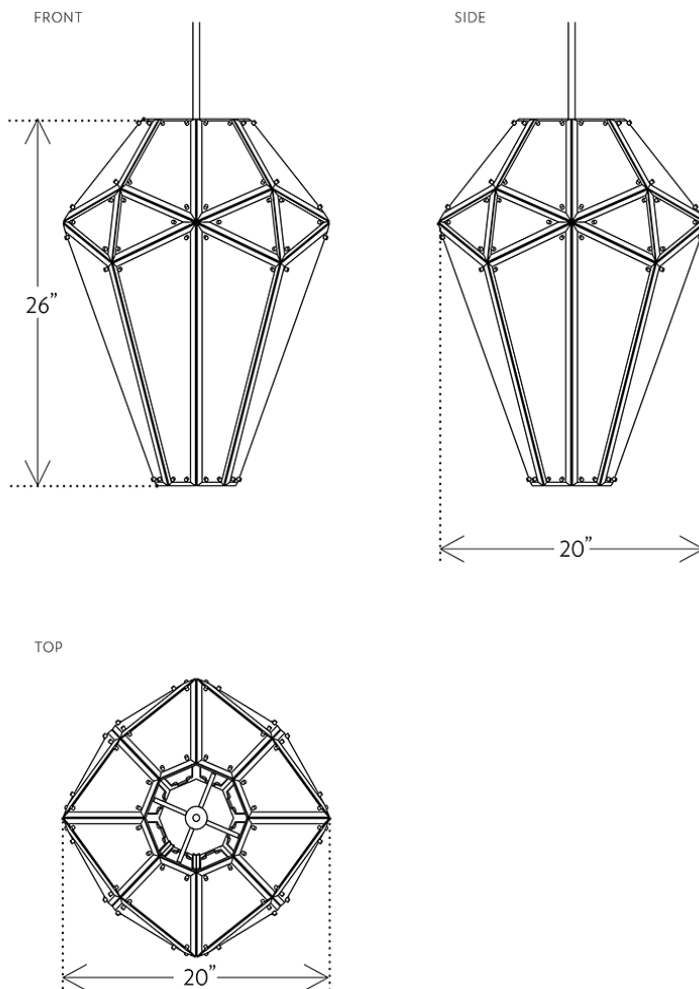
EMPIRE CHANDELIER EM.08.01

MARY WALLIS



EMPIRE CHANDELIER EM.08.01

MARY WALLIS



DESIGNER
Mary Wallis

ORIGIN
United States

PRODUCTION
Made to Order

WEIGHT
30 lbs.

MATERIALS/FINISHES
Hand-cut and beveled glass available in clear, grey, bronze, or white. Brass hardware available in brushed brass, vintage brass, oil-rubbed bronze, or satin nickel finish.

DIMENSIONS
Canopy: Dia. 5" x H .25"
Fixture: L 20" x W 20" x H 26"
Overall Height: Site adjustable up to 62.25"

ILLUMINATION
120V: Vintage-style Edison bulb (Clear or Grey Glass), Frosted Ping Pong bulb (White Glass), E12 socket, 25W.
220V: Vintage-style Edison bulb (Clear or Grey Glass), Frosted Ping Pong bulb (White Glass), E14 socket, 40W.

SUSPENSION
A 36" site-adjustable stem is included with purchase. The aluminum stem will come in matching metal finish. Maximum length 72" upon request.