

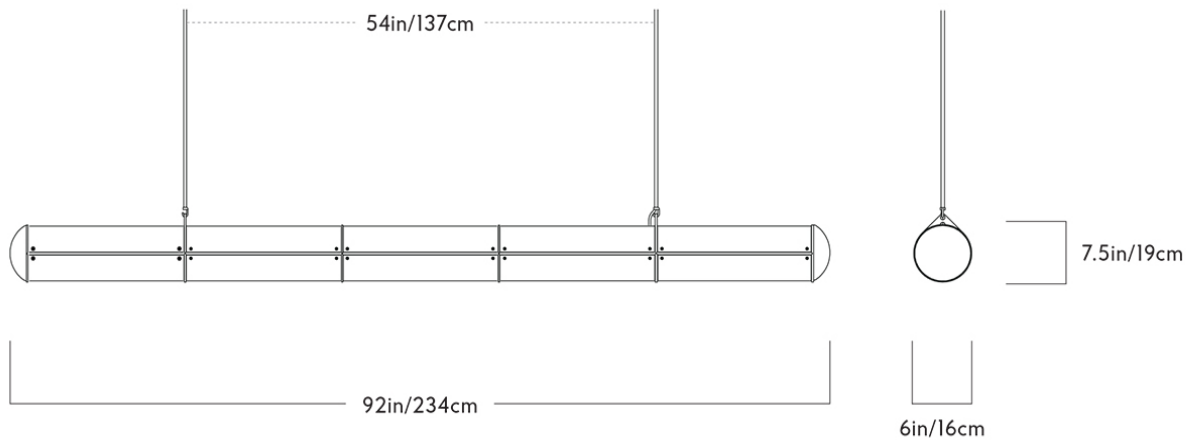
ENDLESS STRAIGHT – 5 UNITS

JASON MILLER FOR ROLL & HILL



ENDLESS STRAIGHT — 5 UNITS

JASON MILLER FOR ROLL & HILL



DESIGNER
Jason Miller

MANUFACTURER
Roll & Hill

ORIGIN
United States

PRODUCTION
Made to Order

DATE
Designed in 2011

WEIGHT
33lbs

CERTIFICATIONS
UL, cUL (120V), CE, CB (240V).

MATERIALS/FINISHES

Aluminum, acrylic and glass. Black, bronze, polished nickel or brushed brass finish.

DIMENSIONS

L 94" x W 6" x H 7.5"

Width between suspensions: 54"

ILLUMINATION

Integrated LED (120V/240V): 180 Watts, 5400 Lumens, 2700 Kelvin, 50,000 Hour Bulb Life, ELV Dimming.

SUSPENSION

Custom length .4" aluminum stem. Drop length must be specified upon confirmation of order.

CANOPY

2 x 5" round canopies in matching metal finish.