

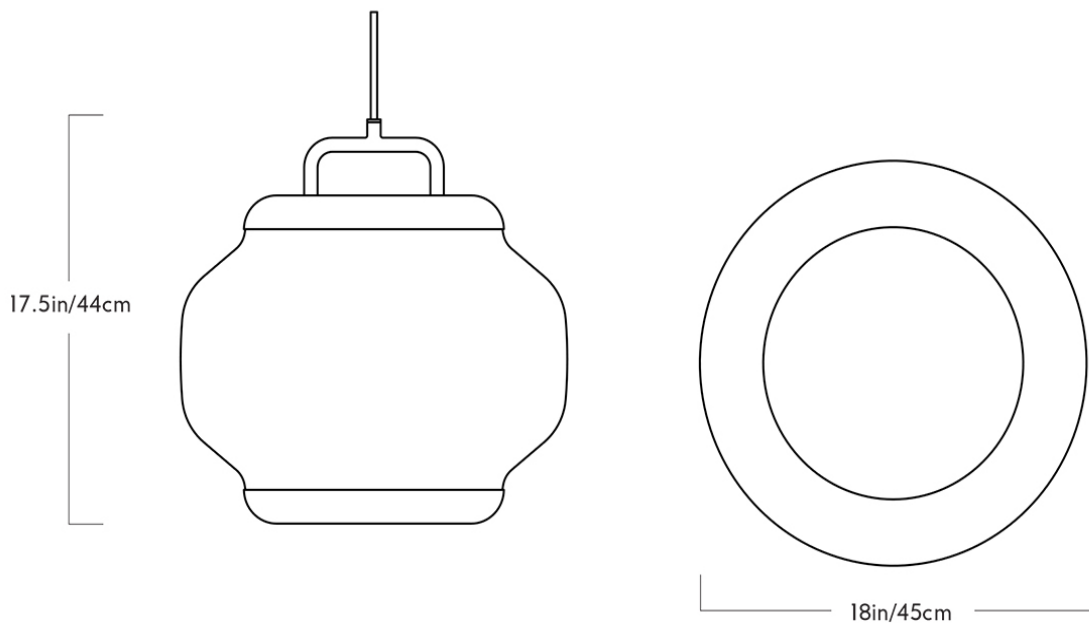
ESPER PENDANT 02

VISIBILITY FOR ROLL & HILL



ESPER PENDANT 02

VISIBILITY FOR ROLL & HILL



DESIGNER

Visibility

MANUFACTURER

Roll & Hill

ORIGIN

United States

PRODUCTION

Made to Order

DATE

Designed in 2016

WEIGHT

14.5lbs

CERTIFICATIONS

UL, cUL (120V), CE, CB (240V).

MATERIALS

Glass, blackened steel and aluminum.

DIMENSIONS

Dia 18" x H 14"

ILLUMINATION

Integrated LED (120V/240V): 18 Watts, 1000 Lumens, 2700 Kelvin, 50,000 Hour Bulb Life, ELV Dimmer.

SUSPENSION

SJT 8' power cord. Length adjustable on site.

CANOPY

5" round in matching metal finish (.5" high).