

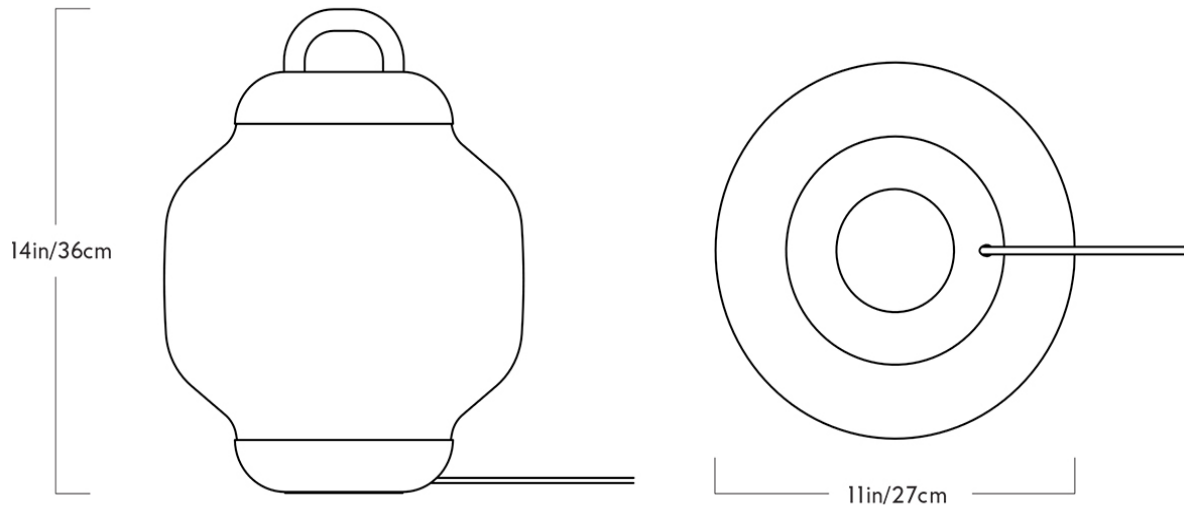
ESPER TABLE LAMP

VISIBILITY FOR ROLL & HILL



ESPER TABLE LAMP

VISIBILITY FOR ROLL & HILL



DESIGNER
Visibility

MANUFACTURER
Roll & Hill

ORIGIN
United States

PRODUCTION
Made to Order

DATE
2016

WEIGHT
7.5 lbs.

CERTIFICATIONS
ETL (120V). CE, CB (240V).

MATERIALS
Glass, blackened steel, and aluminum.

DIMENSIONS
Fixture: Dia. 11" x H 14"
Cord: L 84"

ILLUMINATION
120V/240V: Global use integrated LED, USB 2.0 Cord Universal Wall Plug, Power Supply Interchangeable AC Blades, 10 Watts, 400 Lumens, 2700 Kelvin, CRI 90+, 50,000 Hour Bulb Life, Integrated Cord Dimmer.