

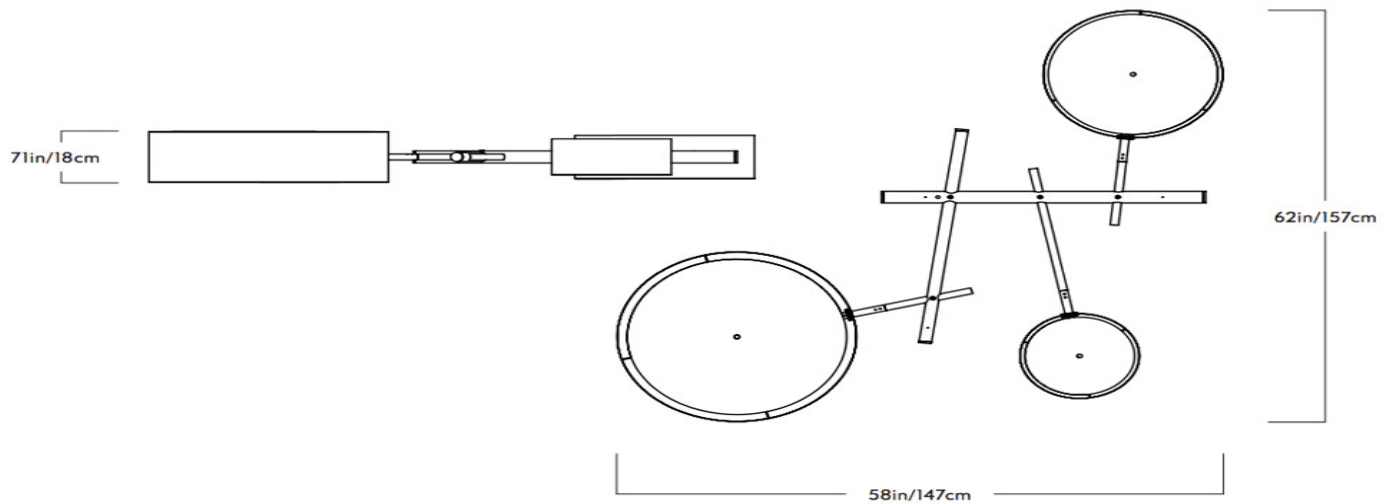
EXCEL CHANDELIER

RICH BRILLIANT WILLING FOR ROLL & HILL



EXCEL CHANDELIER

RICH BRILLIANT WILLING FOR ROLL & HILL



DESIGNER

Rich Brilliant Willing

MANUFACTURER

Roll & Hill

ORIGIN

United States

PRODUCTION

Made to Order

DATE

Designed in 2008

WEIGHT

14lbs

CERTIFICATIONS

UL, cUL (120V) CE, CB (240V).

MATERIALS

Fabric, aluminum with black or white finish.

DIMENSIONS

W 55" x D 61" x H 7"

ILLUMINATION

120V/240V: E26/E27 4 x 60 Watt A19 Incandescent, 680 Lumens (black/red) 1120 Lumens (white), 2700 Kelvin, In-line Triac or ELV Dimming.

LED Alternative: E26/E27 4 x 6 Watt A19 frosted LED, (black/red) 800 Lumens, (white) 1360 Lumens, 2700 Kelvin, In-line Triac or ELV Dimming.

SUSPENSION

8' cord, aircraft cable. Length adjustable on site.

CANOPY

3" x 5" round white canopy.