

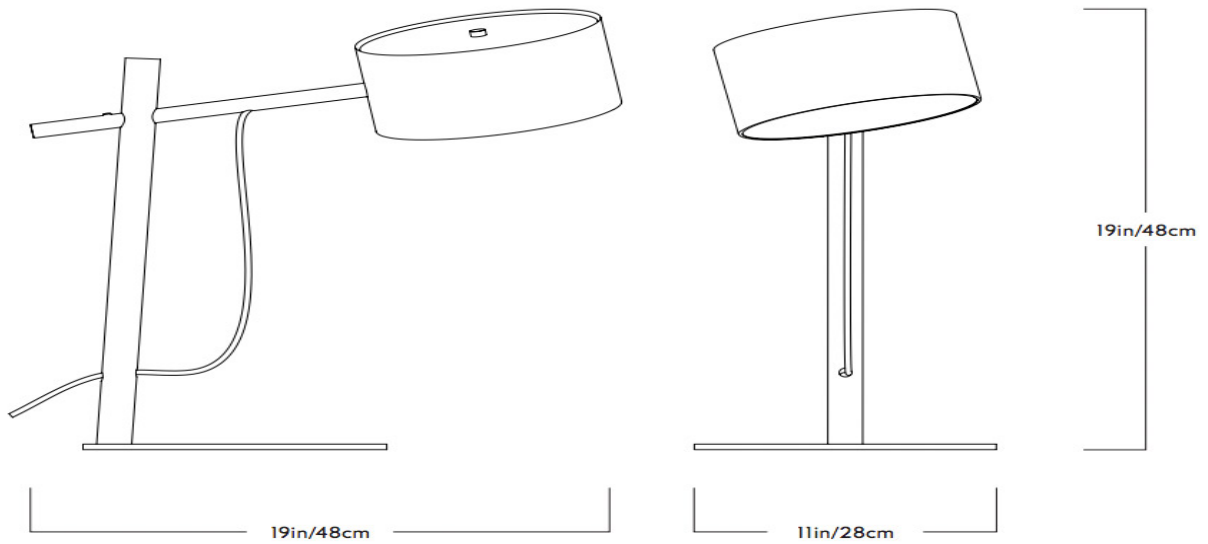
EXCEL DESK LAMP

RICH BRILLIANT WILLING FOR ROLL & HILL



EXCEL DESK LAMP

RICH BRILLIANT WILLING FOR ROLL & HILL



DESIGNER

Rich Brilliant Willing

MANUFACTURER

Roll & Hill

ORIGIN

United States

PRODUCTION

Made to Order

WEIGHT

8lbs

CERTIFICATIONS

UL, cUL (120V) CE, CB (240V).

MATERIALS

Oak and steel with black, white or red finish.

DIMENSIONS

L 19" x W 10" x H 20"

ILLUMINATION

100 - 240V: Integrated LED, 10 Watts, 200 Lumens (black/red) 340 Lumens (white), 2700 Kelvin, 50,000 Hour Bulb Life, Non-dimmable.

BASE

11" round in matching color.