

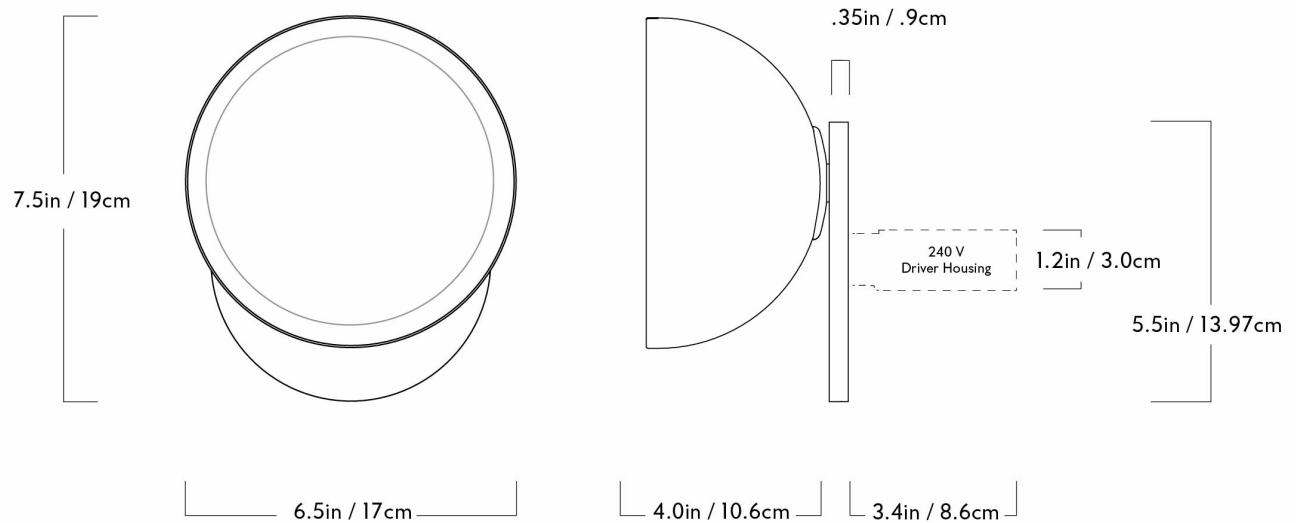
GEODE SCONCE

JASON MILLER FOR ROLL & HILL



GEODE SCONCE

JASON MILLER FOR ROLL & HILL



DESIGNER
Jason Miller

MANUFACTURER
Roll & Hill

ORIGIN
United States

PRODUCTION
Made to Order

DATE
2019

WEIGHT
5 lbs.

CERTIFICATIONS
UL, cUL (120V). CE (240V).

MATERIALS

Glass, aluminium, stainless steel, available in black/brown, polished nickel/cream, polished brass/pink.

DIMENSIONS

Canopy: Dia. 5.5" x H .35"

Fixture: L 6.5" x W 4" x H 7.5"

ILLUMINATION

120V/240V: Integrated LED, 8 Watts, 290 Lumens, 2700 Kelvin, 90 CRI Color Temperature, 50,000 Hours Bulb Life, ELV or 0-10V Dimming.