

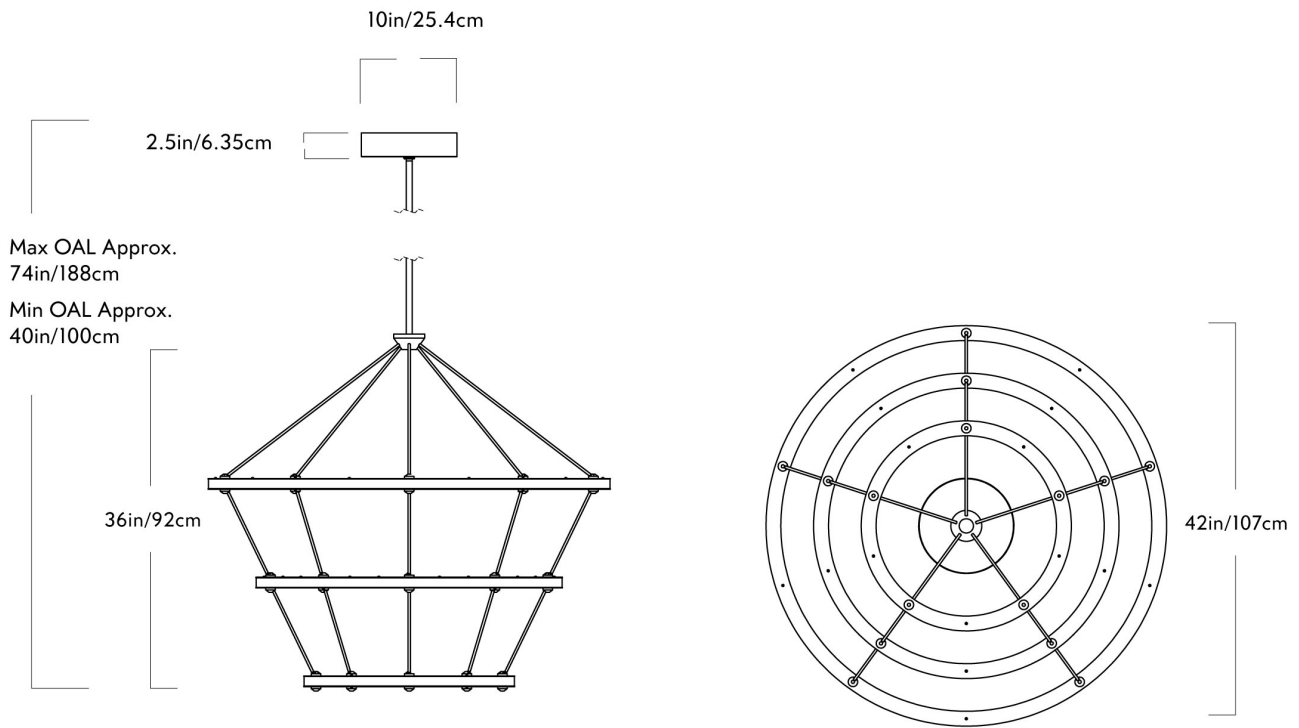
# HALO CHANDELIER — 3 RINGS

PAUL LOEBACH FOR ROLL & HILL



# HALO CHANDELIER — 3 RINGS

PAUL LOEBACH FOR ROLL & HILL



DESIGNER  
Paul Loebach

MANUFACTURER  
Roll & Hill

ORIGIN  
United States

PRODUCTION  
Made to Order

DATE  
2011

WEIGHT  
34 lbs.

CERTIFICATIONS  
UL, cUL (120V). CE, CB (240V).

## MATERIALS/FINISHES

Steel and acrylic, available in brushed brass, blackened steel, oil-rubbed bronze, or polished nickel finish.

## DIMENSIONS

Canopy: Dia. 10" x H 2.5"

Fixture: Dia. 42" x H 36"

Overall Height: Min: 40", Max: 74"

## ILLUMINATION

120V: Integrated LED, 102 Watts, 4000 Lumens, 2700 Kelvin, 90+ CRI, 50,000 Bulb Hours, TRIAC, ELV or 0-10V Dimming.

240V: Integrated LED, 90 Watts, 4000 Lumens, 2700 Kelvin, 90+ CRI, 50,000 Bulb Hours, ELV or 0-10V Dimming.

## SUSPENSION

A 35" site-adjustable stem is included with purchase. The aluminum stem will come in matching metal finish. Custom stem lengths are available at an additional cost.