

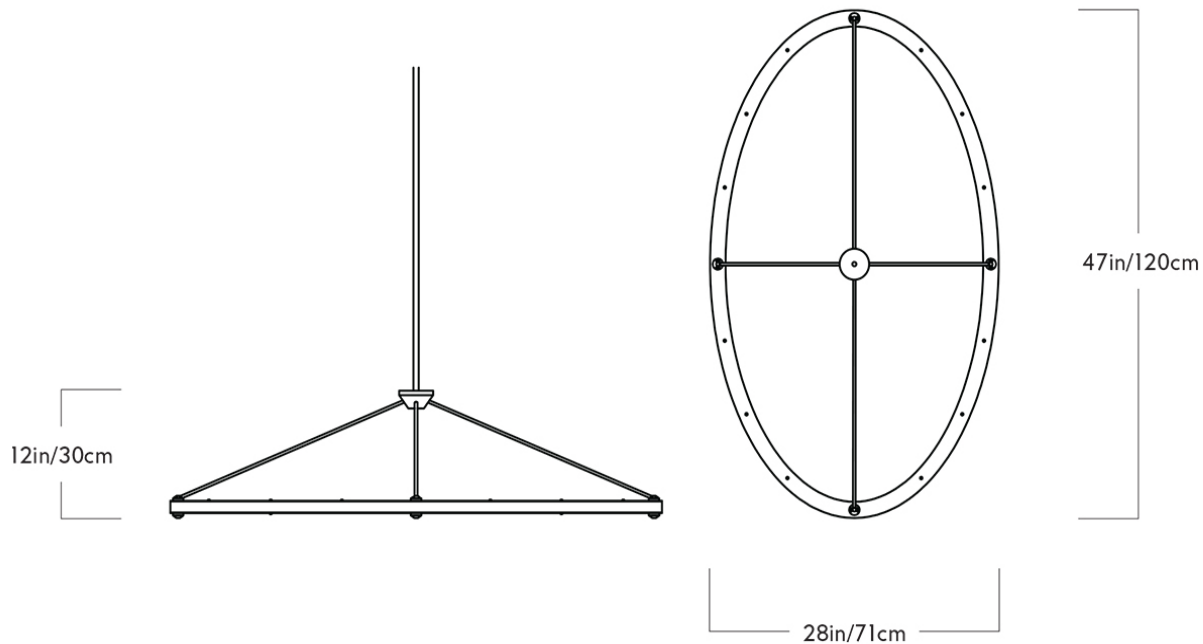
PRIVATE: HALO OVAL PENDANT — BRUSHED BRASS

PAUL LOEBACH FOR ROLL & HILL



PRIVATE: HALO OVAL PENDANT – BRUSHED BRASS

PAUL LOEBACH FOR ROLL & HILL



DESIGNER

Paul Loebach

MANUFACTURER

Roll & Hill

ORIGIN

United States

PRODUCTION

Made to Order

DATE

Designed in 2011

WEIGHT

14lbs

CERTIFICATIONS

UL, cUL (120V), CE, CB (240V).

MATERIALS/FINISHES

Steel and acrylic. Brushed brass finish.

DIMENSIONS

L 47" x W 28" x H 12"

ILLUMINATION

Integrated LED (120V/240V): 28 Watts, 1300 Lumens, 2700 Kelvin, 90 CRI, 50,000 life hours, TRIAC, ELV or 0-10V Dimming.

SUSPENSION

.5" steel stem in matching metal finish. 35" length included with lamp. 96" length available for additional cost. Stem length can be adjusted on site.

CANOPY

9" round in matching metal finish.