

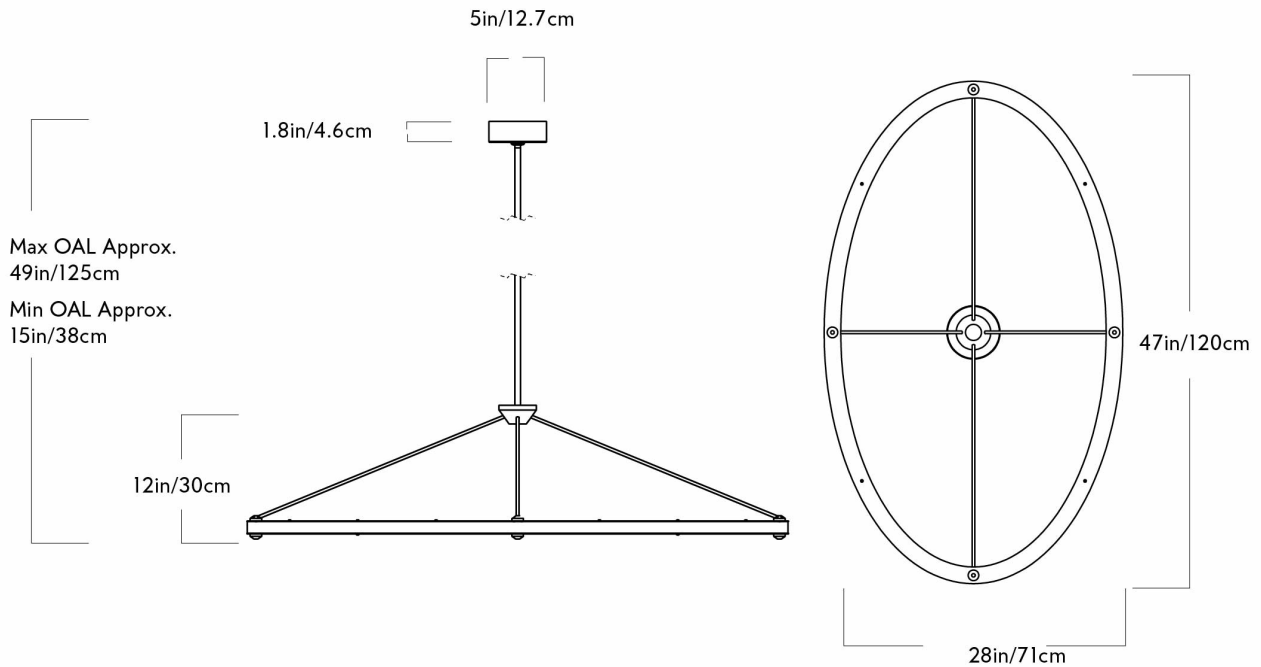
HALO OVAL PENDANT

PAUL LOEBACH FOR ROLL & HILL



HALO OVAL PENDANT

PAUL LOEBACH FOR ROLL & HILL



DESIGNER
Paul Loebach

MANUFACTURER
Roll & Hill

ORIGIN
United States

PRODUCTION
Made to Order

DATE
2011

WEIGHT
14 lbs.

CERTIFICATIONS
UL, cUL (120V). CE, CB (240V).

MATERIALS/FINISHES

Steel and acrylic, available in brushed brass, blackened steel, oil-rubbed bronze, or polished nickel finish.

DIMENSIONS

Canopy: Dia. 5" x H 1.8"
Fixture: AL 47" x W 28" x H 12"
Overall Height: Min: 15", Max: 49"

ILLUMINATION

120V: Integrated LED, 92 Watts, 1300 Lumens, 2700 Kelvin, 90 CRI, 50,000 life hours, TRIAC, ELV, or 0-10V Dimming.
240V: Integrated LED, 60 Watts, 1300 Lumens, 2700 Kelvin, 90 CRI, 50,000 life hours, ELV or 0-10V Dimming.

SUSPENSION

A 35" site-adjustable stem is included with purchase. The aluminum stem will come in matching metal finish. Custom stem lengths are available at an additional cost.