

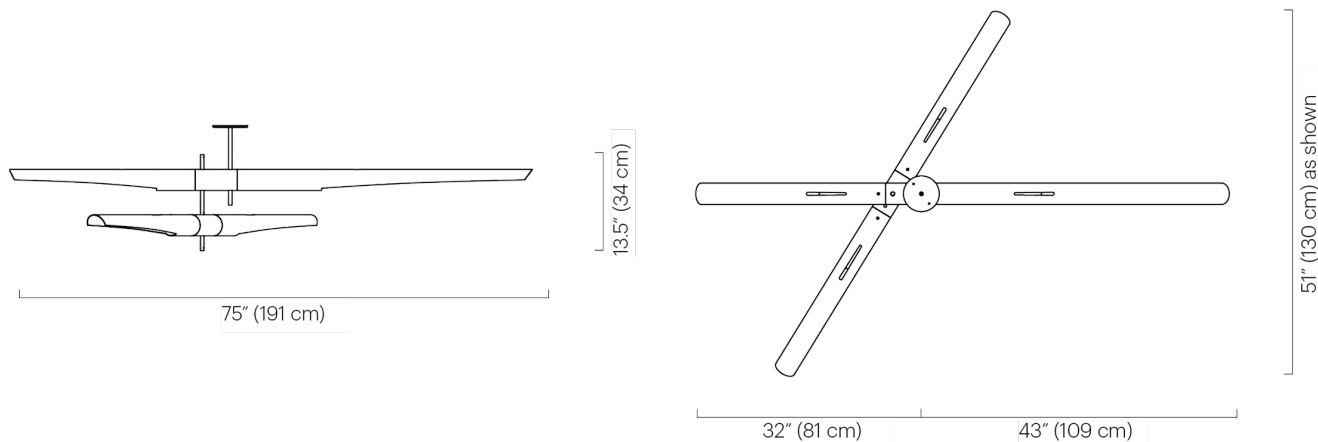
HENNEN MOBILE NO. 430

DAVID WEEKS



HENNEN MOBILE NO. 430

DAVID WEEKS



DESIGNER

David Weeks

ORIGIN

United States

PRODUCTION

Made to Order

WEIGHT

15 lbs.

CERTIFICATIONS

UL, CE.

DISCLAIMER

Additional weight support is recommended for junction box installation. Indoor use and dry locations only. Bulbs not included. Halogen bulbs not recommended.

MATERIALS/FINISHES

Powder-coated aluminum shade with steel-plated frame and canopy, and a Polished Nickel finish, available in Black Gloss/Black Gloss interior, Grey Gloss/Grey Gloss interior, or White Gloss/White Gloss interior.

DIMENSIONS

Canopy: Dia. 5"

Fixture: L 75" x W 51" x H 13.5"

Overall Height: Custom length made to order.

ILLUMINATION

120V: (4) T10 tubular incandescent medium base, Max 60W.

220-240V: (4) E27 base (tubular 32mm suggested), Max 60W.

Max 240 watts.

SUSPENSION

Pendant lengths are pre-set during production and are not site adjustable. Lengths are determined by client upon order confirmation.