

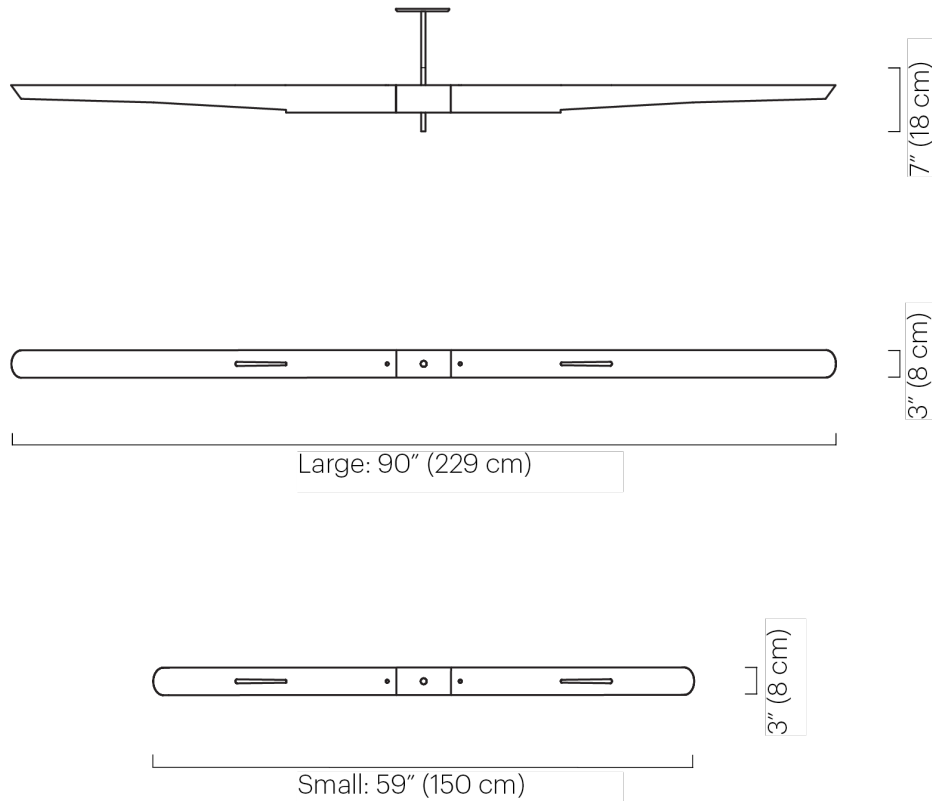
# HENNEN SOLO NO. 431

DAVID WEEKS



# HENNEN SOLO NO. 431

DAVID WEEKS



#### DESIGNER

David Weeks

#### ORIGIN

United States

#### PRODUCTION

Made to Order

#### WEIGHT

10 lbs.

#### CERTIFICATIONS

UL, CE.

#### DISCLAIMER

Additional weight support is recommended for junction box installation. Indoor use and dry locations only. Bulbs not included. Halogen bulbs not recommended.

#### MATERIALS/FINISHES

Powder-coated aluminum shade with steel-plated frame and canopy, and a Polished Nickel finish, available in Black Gloss/Black Gloss interior, Grey Gloss/Grey Gloss interior, or White Gloss/White Gloss interior.

#### DIMENSIONS

Canopy: 5"

Small Fixture: L 59" x H 3"

Large Fixture: L 90" x H 3"

Overall Height: Custom length made to order.

#### ILLUMINATION

120V: (2) T10 tubular incandescent medium base, Max 60W.

220-240V: (2) E27 base (tubular 32mm suggested), Max 60W.

Max 120 Watts.

#### SUSPENSION

Pendant lengths are pre-set during production and are not site adjustable. Lengths are determined by client upon order confirmation.