

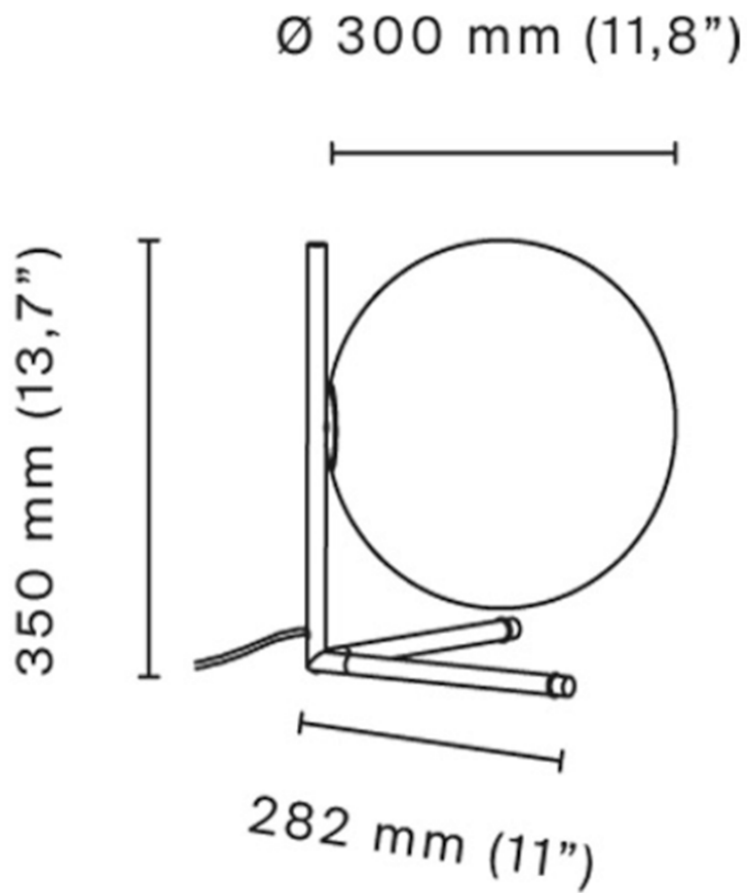
IC LIGHT T2

MICHAEL ANASTASSIADES FOR FLOS



IC LIGHT T2

MICHAEL ANASTASSIADES FOR FLOS



DESIGNER

Michael Anastassiades

MANUFACTURER

Flos

ORIGIN

Italy

PRODUCTION

Made to Order

WEIGHT

2.2 lbs.

CERTIFICATIONS

UL, cUL.

MATERIALS/FINISHES

Steel with chrome, black, or brushed brass finish. Blown glass opal globe.

DIMENSIONS

Fixture: L 11" x H 14"

Globe: Dia. 11.8"

Cord: L 98"

ILLUMINATION

120V: 1 x 150W T-10 Medium Frosted Halogen. 0-100% dimmer.