

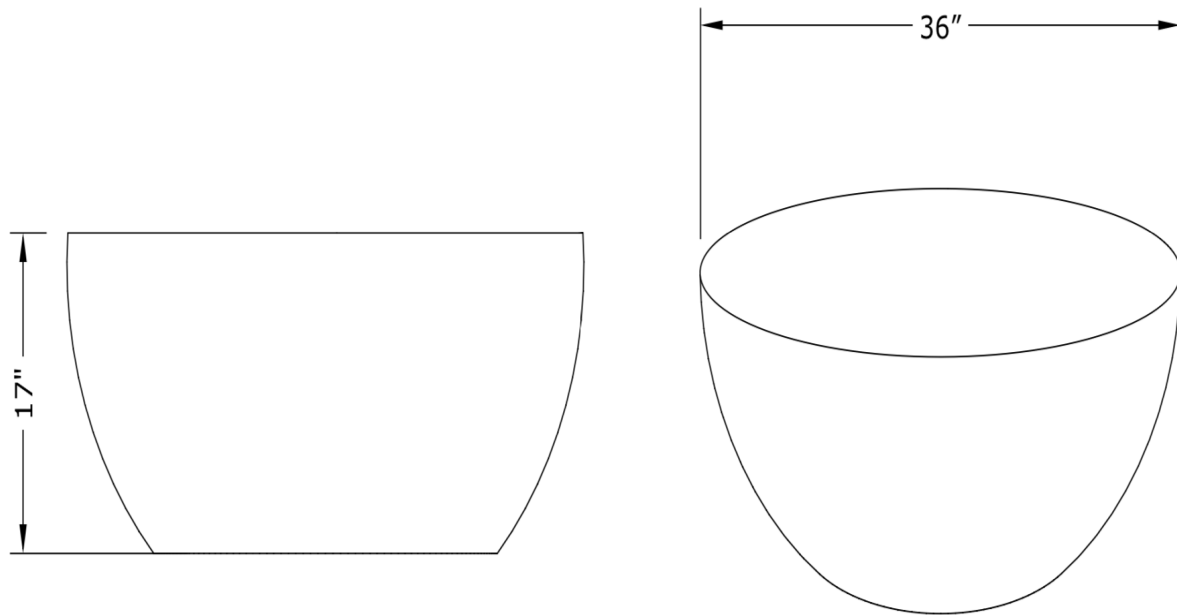
# IDA TABLE

BEN BARBER



# IDA TABLE

BEN BARBER



DESIGNER

Ben Barber

PRODUCTION

Made to Order

DATE

2020

MATERIALS

Blackened Steel

DIMENSIONS

Dia 36" x H 17"

CUSTOMIZABLE

Custom metals available for additional cost, please inquire directly for details.