

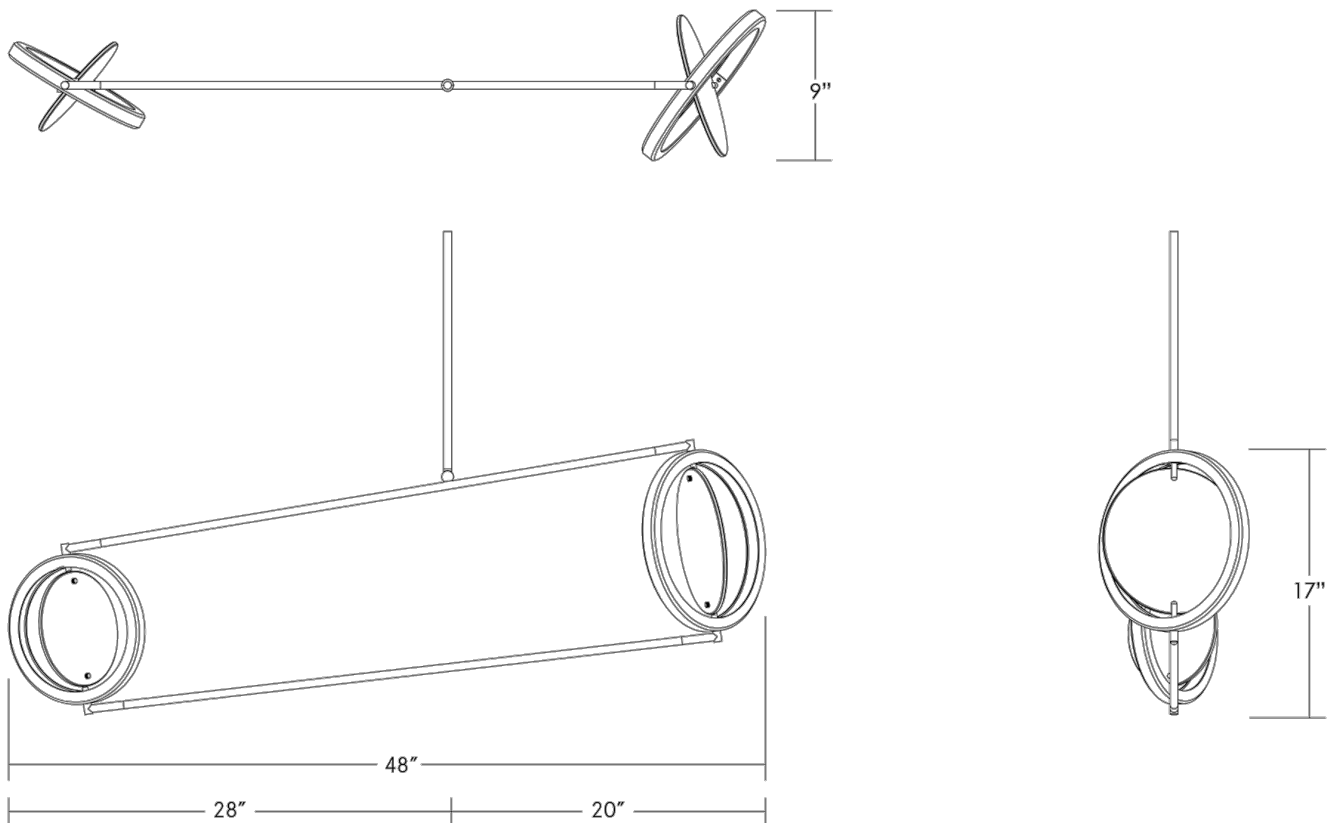
JANUS NEBULA

TRUEING



JANUS NEBULA

TRUEING



MANUFACTURER

Trueing

ORIGIN

United States

PRODUCTION

Made to Order

DATE

2019

CERTIFICATIONS

UL upon request.

MATERIALS

Brushed Brass, Satin Nickel, Polished Nickel, Oil Rubbed Bronze and Pink/Green Dichroic Glass, Blue/Orange Dichroic Glass, Transparent Mirror or Milky White Glass.

DIMENSIONS

L 48" x W 9" x H 17"

CUSTOMIZABLE

Metal finish, disc material and size are customizable.

ILLUMINATION

120V/240V: 24V LED strip, 3000K, 950 Lumens, 11 Watts, Electronic Low Voltage dimming. Lutron CL dimmer recommended.

SUSPENSION

Standard 30" stem; can be cut to size on-site. Longer stems available upon request.

CANOPY

Remote: Dia 5" x .25" | H Local: Dia 8" x 1.5" H