

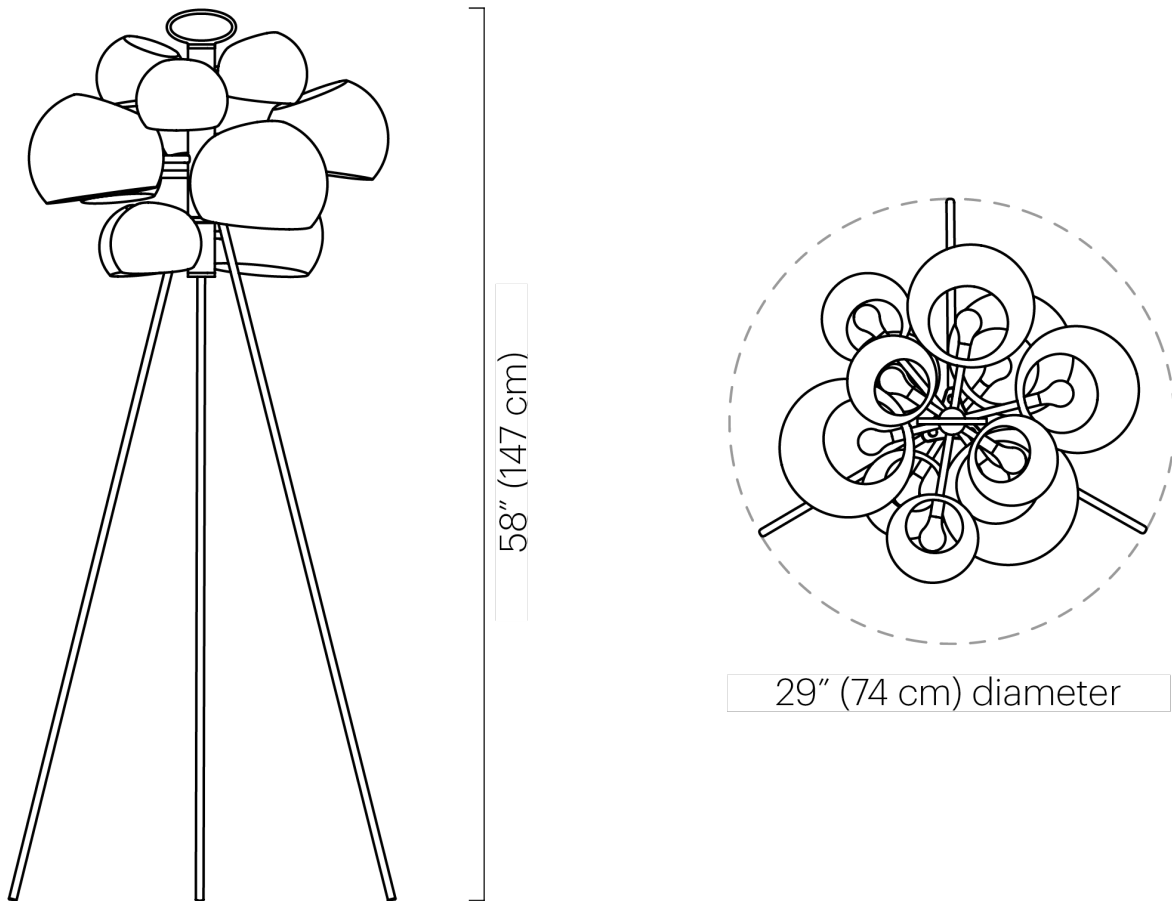
PRIVATE: KOPRA STANDING LAMP NO. 316

DAVID WEEKS



PRIVATE: KOPRA STANDING LAMP NO. 316

DAVID WEEKS



DESIGNER

David Weeks

ORIGIN

United States

PRODUCTION

Made to Order

WEIGHT

25 lbs.

CERTIFICATIONS

CE.

DISCLAIMER

Bulbs not included. Halogen bulbs are not recommended. Indoor use and dry locations only.

MATERIALS/FINISHES

Powder-coated steel shade and frame, available in Black Gloss/Black Gloss interior, Grey Gloss/Grey Gloss interior, or White Gloss/White Gloss interior.

DIMENSIONS

Fixture: Dia. 29" x H 58"

Cord: L 120"

ILLUMINATION

120V: (11) G16.5 globe bulb, candelabra base, Max 40W, 20W recommended, dimmable.

220-240V: (11) E14 base golf ball, Max 40W, 20W recommended, dimmable.

Max 440 Watts.