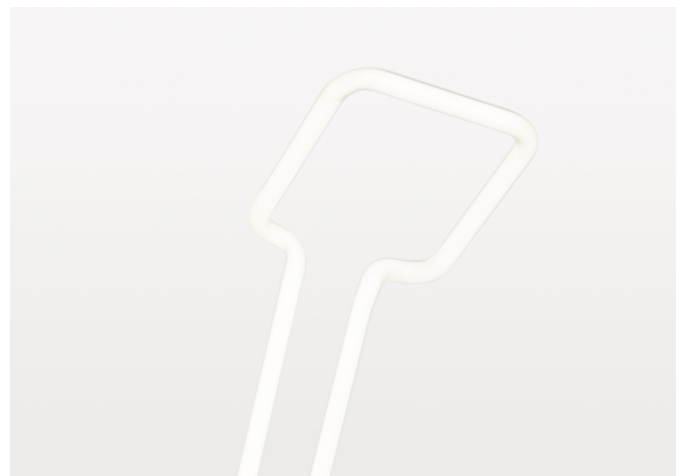


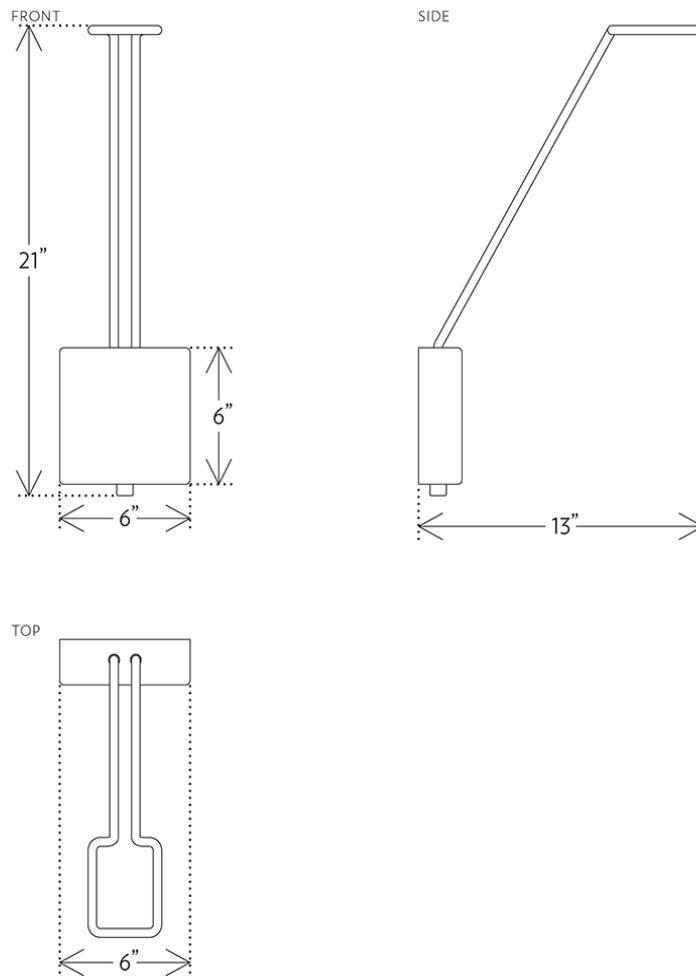
LIGHT LINE SCONCE LL.01.02

MARY WALLIS



LIGHT LINE SCONCE LL.01.02

MARY WALLIS



DESIGNER
Mary Wallis

ORIGIN
United States

PRODUCTION
Made to Order

WEIGHT
5lbs

MATERIALS/FINISHES
Machined aluminum with brushed brass, vintage brass, satin nickel, oil-rubbed bronze or polished copper finish.

DIMENSIONS
W 6" x D 13" x H 21"

ILLUMINATION
Dimmable cold white cathode tube. 110V/220V: Hardwired, appropriate transformer included.