

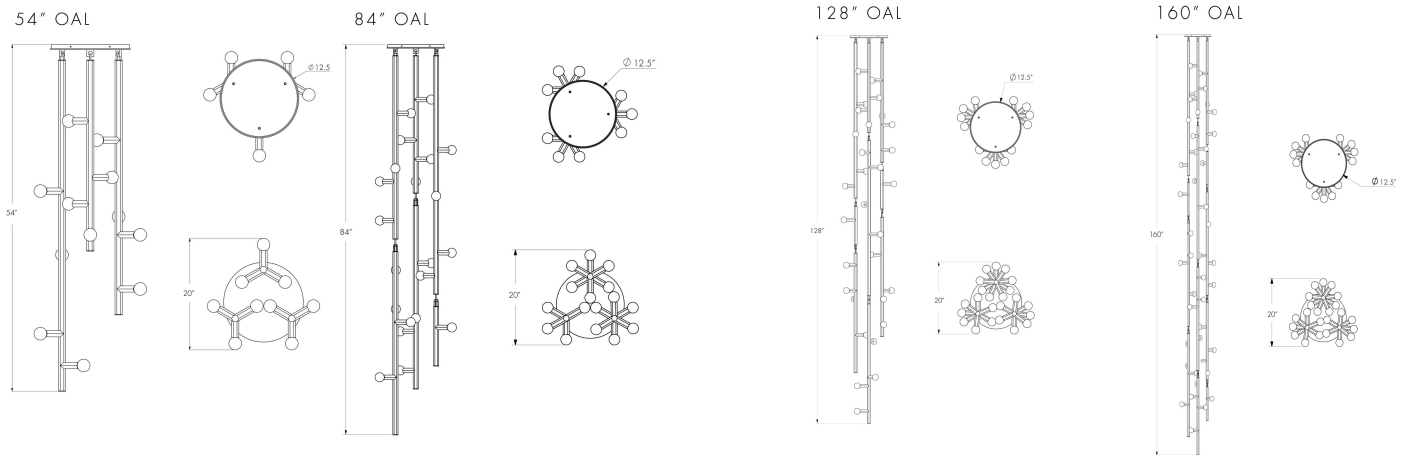
LINDEN IVY TRIPLE

CHARLES DE LISLE FOR THE FUTURE PERFECT



LINDEN IVY TRIPLE

CHARLES DE LISLE FOR THE FUTURE PERFECT



DESIGNER

Charles De Lisle

MANUFACTURER

The Future Perfect

ORIGIN

United States

PRODUCTION

Made to Order

WEIGHT

25 lbs.

CERTIFICATIONS

UL.

MATERIALS

Solid brass, available in Polished Brass, Satin Brass, Dark Antique, Faux Pewter, or Antique Nickel finish.

DIMENSIONS

Canopy: Dia. 12.5"

Linden Ivy Triple 54: Dia. 20" x H 54"

Linden Ivy Triple 84: Dia. 20" x H 84"

Linden Ivy Triple 128: Dia. 20" x H 128"

Linden Ivy Triple 160: Dia. 20" x H 160"

ILLUMINATION

120V: Incandescent, E12 Socket, 21 x 15 Watt G-16.5 Bulb (suggested), Max 60 Watts.