

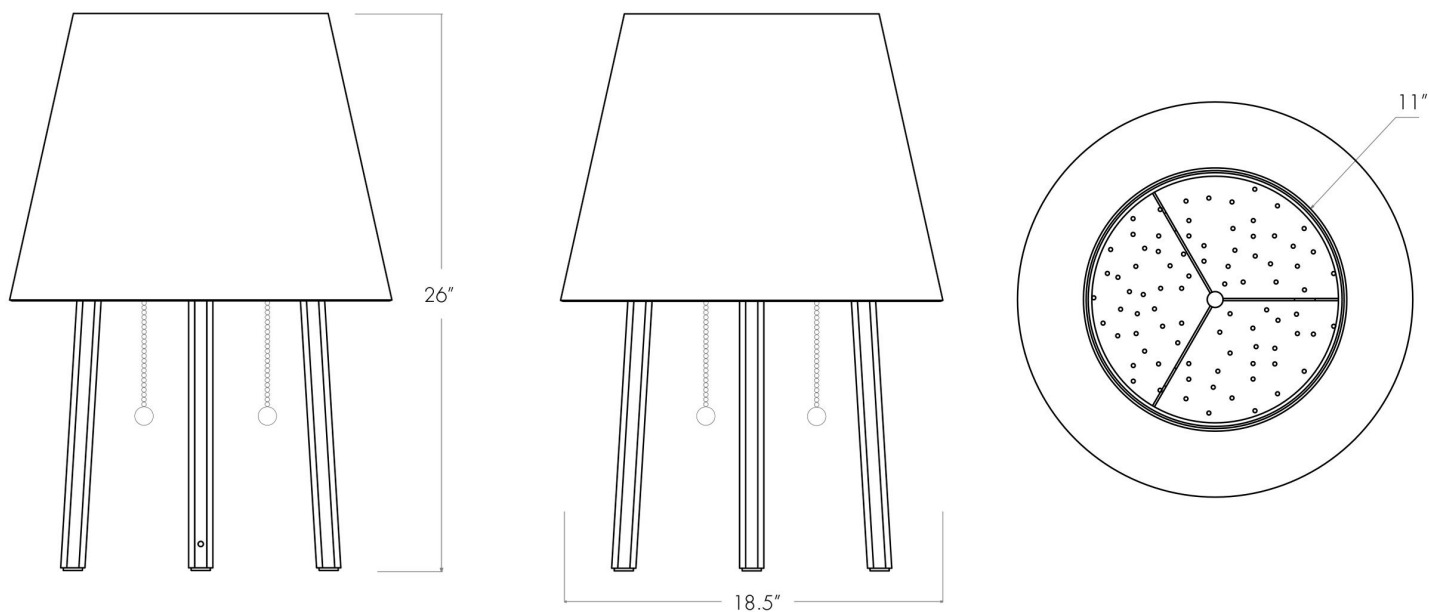
LINDEN TRIPOD

CHARLES DE LISLE FOR THE FUTURE PERFECT



LINDEN TRIPOD

CHARLES DE LISLE FOR THE FUTURE PERFECT



DESIGNER

Charles De Lisle

MANUFACTURER

The Future Perfect

ORIGIN

United States

PRODUCTION

Made to Order

DATE

2018

CERTIFICATIONS

UL.

MATERIALS

Solid brass, available in Polished Brass, Satin Brass, Dark Antique, Faux Pewter, or Antique Nickel finish. Black nylon cord.

DIMENSIONS

Fixture: L 18.5" x H 26"

Shade: Dia. 18.5" x H 13.5"

ILLUMINATION

120V: Incandescent, Medium (A) Socket, 2 x 25 Watt A-15 Bulb (suggested), Max 60 Watts.