

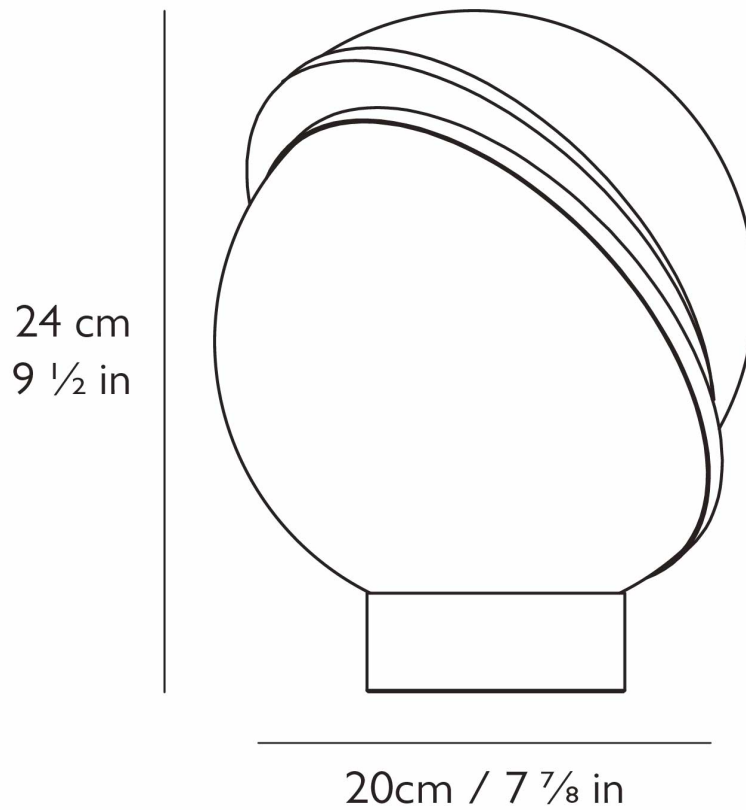
# MINI CRESCENT TABLE LAMP

LEE BROOM



# MINI CRESCENT TABLE LAMP

LEE BROOM



#### DESIGNER

Lee Broom

#### ORIGIN

United Kingdom

#### WEIGHT

2 lbs.

#### CERTIFICATIONS

UL, cUL (110-130V). CE, CB (220-240V).

#### MATERIALS/FINISHES

Opal acrylic and steel with Brushed Brass finish.

#### DIMENSIONS

Fixture: Dia. 7.8" x H 9.5"

Base: Dia. 3.9" x H 1"

Cord: L 78.8"

#### ILLUMINATION

110-130V: 1x 9 Watt LED, E26, 2700 Kelvin, 800 Lumens, CRI 80, 25,000 Hour Bulb Life, dimmable.

220-240V: 1x 6.3 Watt LED, E27, 2700 Kelvin, 470 Lumens, CRI 80, 25,000 Hour Bulb Life, dimmable.