

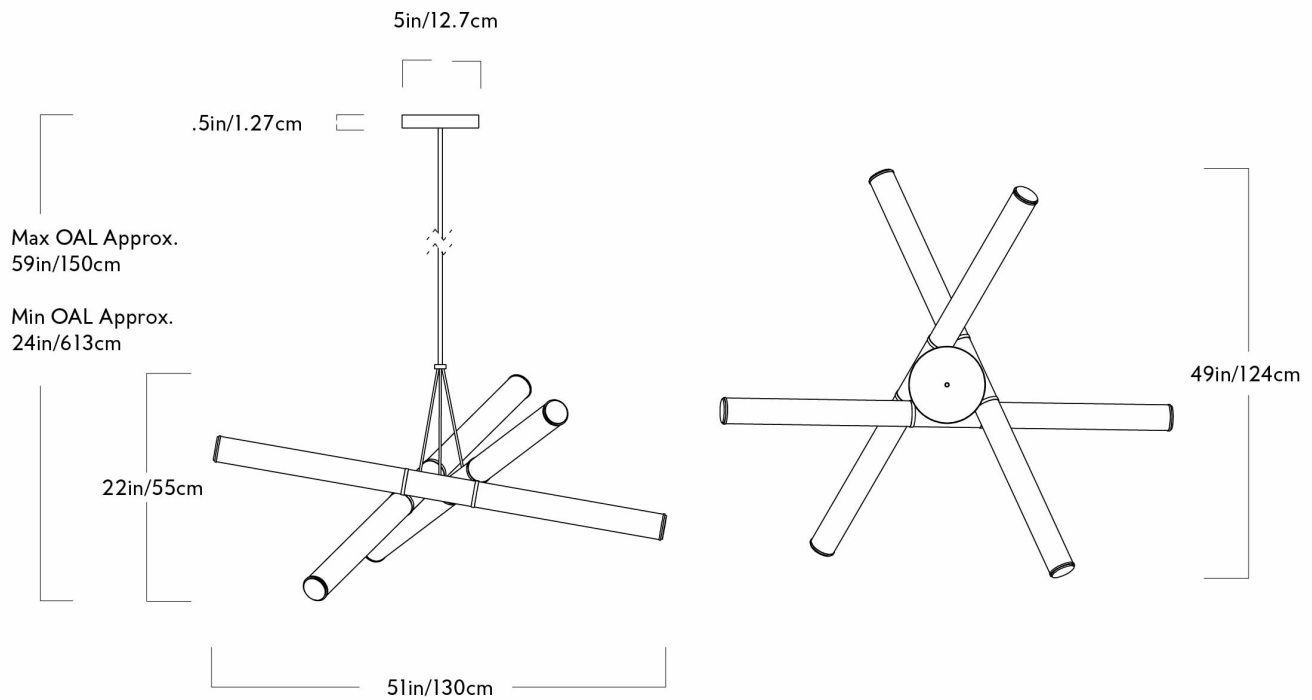
MINI FARRAGO PENDANT 02

JASON MILLER FOR ROLL & HILL



MINI FARRAGO PENDANT 02

JASON MILLER FOR ROLL & HILL



DESIGNER
Jason Miller

MANUFACTURER
Roll & Hill

ORIGIN
United States

PRODUCTION
Made to Order

DATE
2012

WEIGHT
19 lbs.

CERTIFICATIONS
UL, cUL (120V). CE (240V).

MATERIALS/FINISHES

Acrylic, wood, and steel, available in polished brass, polished nickel, oil-rubbed bronze, or blackened steel finish. Grey or stained oak.

DIMENSIONS

Canopy: Dia. 5" x H .5"

Fixture: Dia. 51" x H 22"

Overall Height: Min: 24", Max: 59"

ILLUMINATION

120V/240V: Integrated LED, 80.6 Watts, 3150 Lumens, 2700 Kelvin, CRI 90+, 50,000 Bulb Life Hours, ELV or 0-10V dimming.

SUSPENSION

A 35" site-adjustable stem is included with purchase. The aluminum stem will come in matching metal finish. Custom stem lengths are available at an additional cost.