

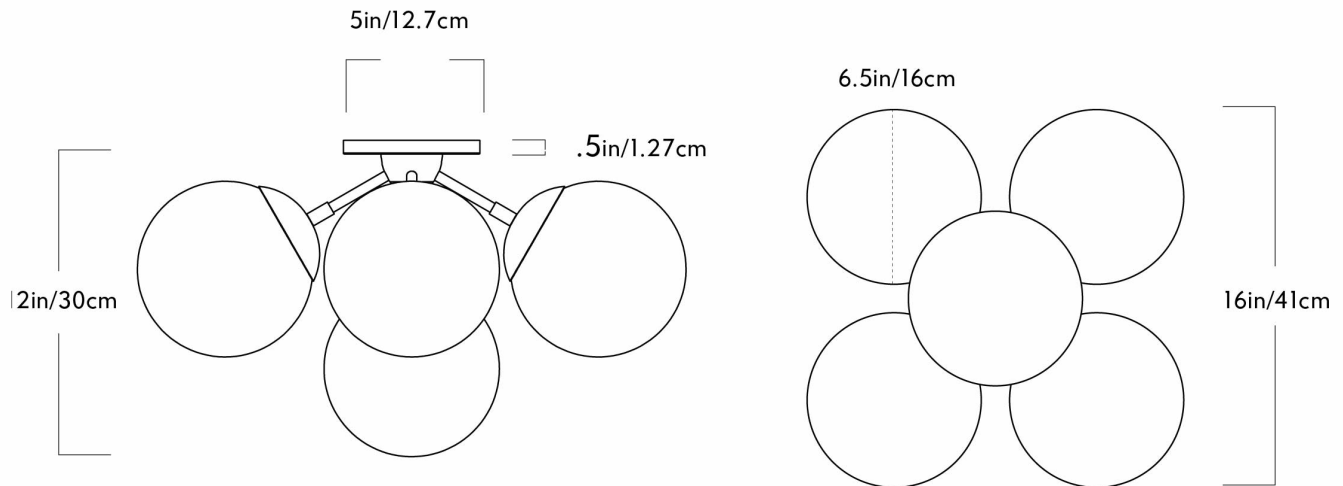
MODO CEILING MOUNT — 5 GLOBES

JASON MILLER FOR ROLL & HILL



MODO CEILING MOUNT – 5 GLOBES

JASON MILLER FOR ROLL & HILL



DESIGNER
Jason Miller

MANUFACTURER
Roll & Hill

ORIGIN
United States

PRODUCTION
Made to Order

WEIGHT
7-9 lbs.

CERTIFICATIONS
UL, cUL (120V). CE, CB (240V).

MATERIALS/FINISHES

Machined aluminum and glass, available in black, bronze, polished nickel, or brushed brass finish. Smoke, clear, or cream glass.

DIMENSIONS

Canopy: Dia. 5" x H .5"
Fixture: L 16" x W 16" x H 12"
Globe: Dia. 6.5"

ILLUMINATION

Cream Glass: 120V/240V R&H LED Bulb, E26/E27, 5 x 6 Watt A19, 30 Watts, 900 Lumens, 2600K, CRI 90+, 50,000 hours est., ELV or Triac dimming.
Smoke Glass: 120V/240V R&H LED Bulb, E26/E27, 5 x 3 Watt G25 Mirror Top, 15 Watts, 450 Lumens, 2500K, CRI 90+, 50,000 hours est., ELV or Triac dimming.
Clear Glass: 120V/240V R&H LED Bulb, E26/E27, 5 x 3 Watt G25 Mirror Top, 15 Watts, 1350 Lumens, 2700K, CRI 90+, 50,000 hours est., ELV or Triac dimming.