

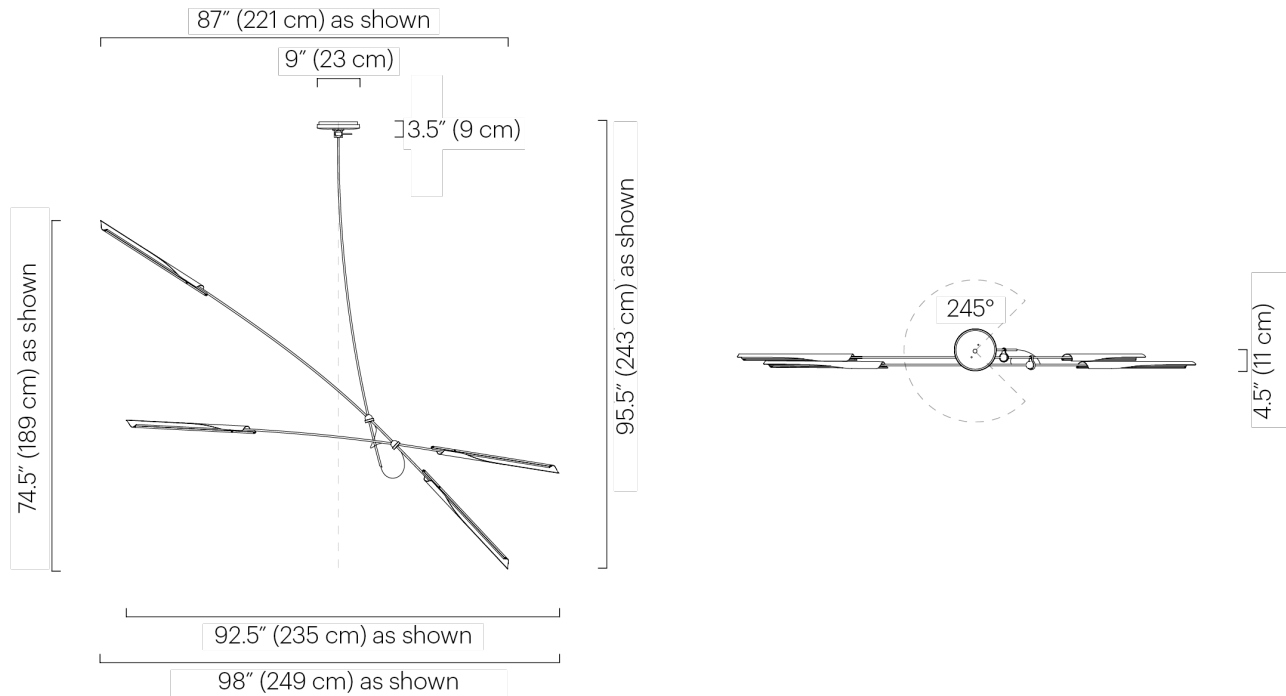
# OTTO X NO. 448

DAVID WEEKS



# OTTO X NO. 448

DAVID WEEKS



#### DESIGNER

David Weeks

#### ORIGIN

Made in the United States.

#### PRODUCTION

Made to Order

#### WEIGHT

10lbs

#### MATERIALS/FINISHES

Powder coated aluminum shades, powder coated and plated aluminum ceiling mount, plated brass frame and drop, plated and polished brass hardware. Black Satin (ivory satin interior), Grey Gloss (ivory satin interior), Ivory Satin (ivory satin interior) shade. Custom shade colors available upon request. Brushed brass or polished nickel finish. Hardware finish consistent with frame finish. Ceiling mount consistent with shade color.

#### DIMENSIONS

D 4.5" x W 98" x H 74.5"

Shade: Dia 1.5" x L 28"

Min overall height: 74"

#### CARE

Additional weight support recommended for junction box installation. Indoor use and dry locations only.

#### ILLUMINATION

LED Warm white 2700K, 3360 Lumens (equivalent to four 60W incandescent bulbs), 50,000 LED life hours.

120V: 60W, 24V phase dimmable class 2 included in canopy.

220-240V: remote power supply only. Not included.

MLV/TRIAC (leading edge) switch dimmer compatibility.

24V / 44 watts

#### SUSPENSION