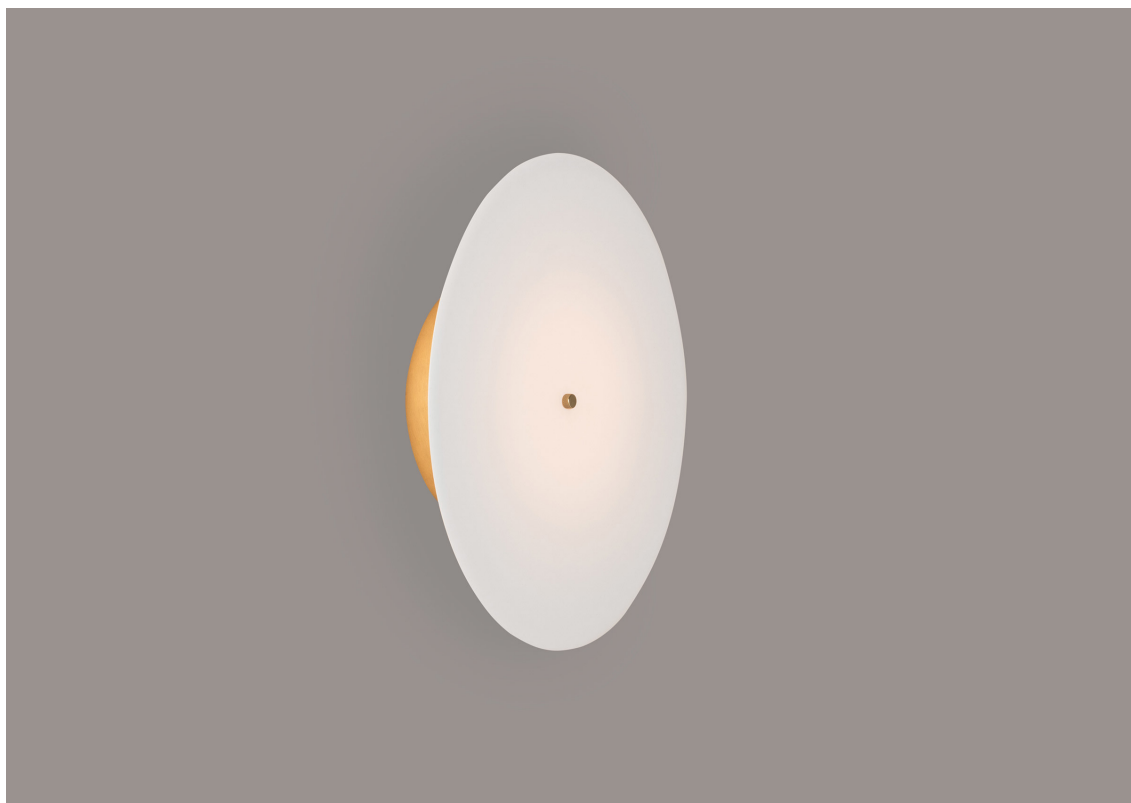


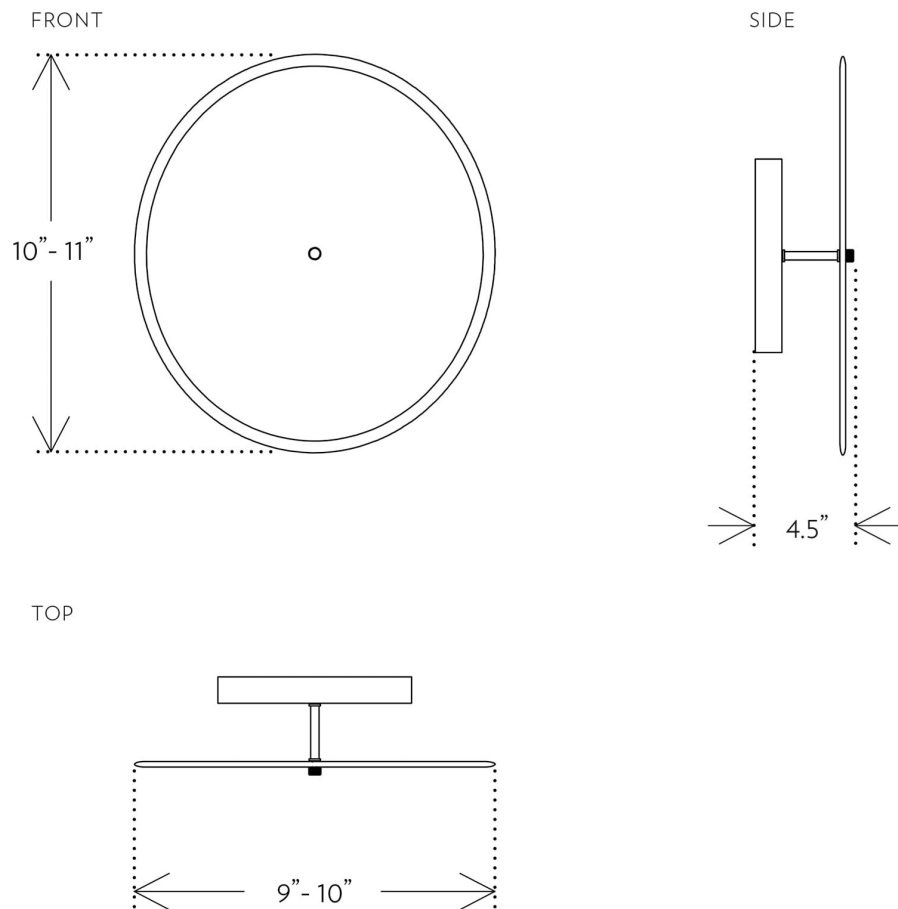
BRANCHING DISC SCONCE SC.01.08

LINDSEY ADELMAN FOR LINDSEY ADELMAN STUDIO



BRANCHING DISC SCONCE SC.01.08

LINDSEY ADELMAN FOR LINDSEY ADELMAN STUDIO



DESIGNER
Lindsey Adelman

MANUFACTURER
Lindsey Adelman Studio

ORIGIN
United States

DATE
2018

WEIGHT
3lbs

MATERIALS/FINISHES

Handmade unglazed translucent porcelain shade.
Machined brass with Brushed Brass, Vintage Brass, Oil-Rubbed Bronze or Satin Nickel Finish.

DIMENSIONS

W 9.5" x D 4.5" x H 10.5"
Shade: 10.5" - 11.5". Dimensions may vary due to the handmade nature of this piece.

ILLUMINATION

110v or 220v | 6w | 2700k integrated LED, Dimmable, Transformer Provided

BACKPLATE

Dia 5" x H .25"