

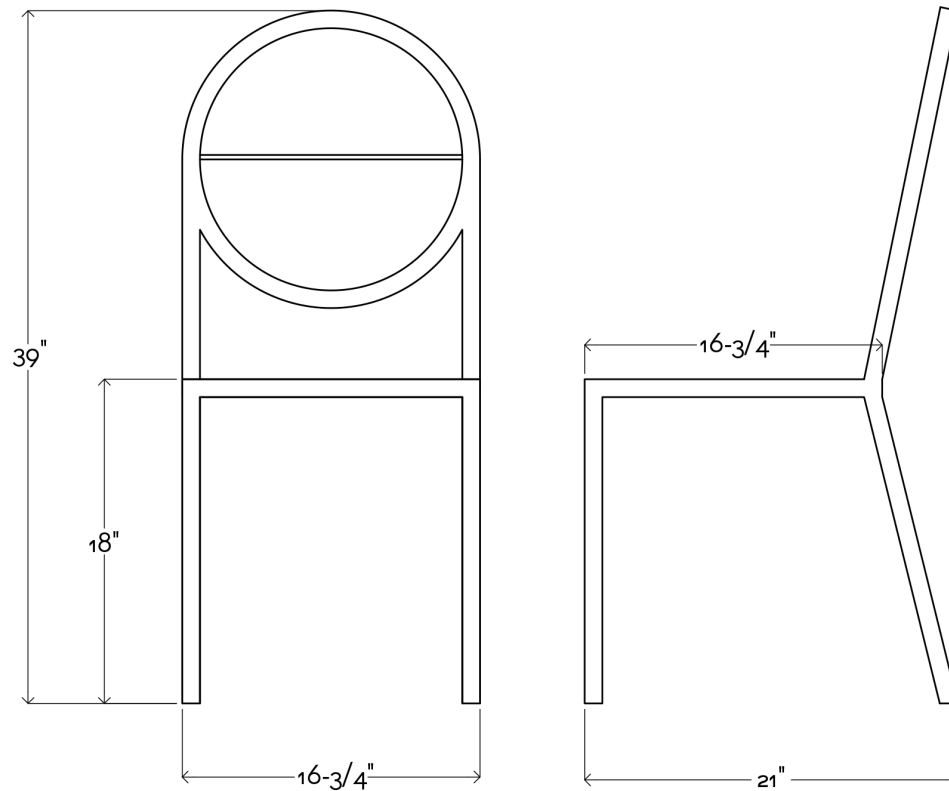
# PRIVATE: RING CHAIR

BOWER STUDIOS



# PRIVATE: RING CHAIR

BOWER STUDIOS



MANUFACTURER  
Bower Studios

ORIGIN  
United States

PRODUCTION  
Made to Order

WEIGHT  
20 lbs.

MATERIALS  
Powder coated steel frame, metal or wood details, Maharam wool upholstery.

DIMENSIONS  
W 16.75" x D 20.9" x H 39"