

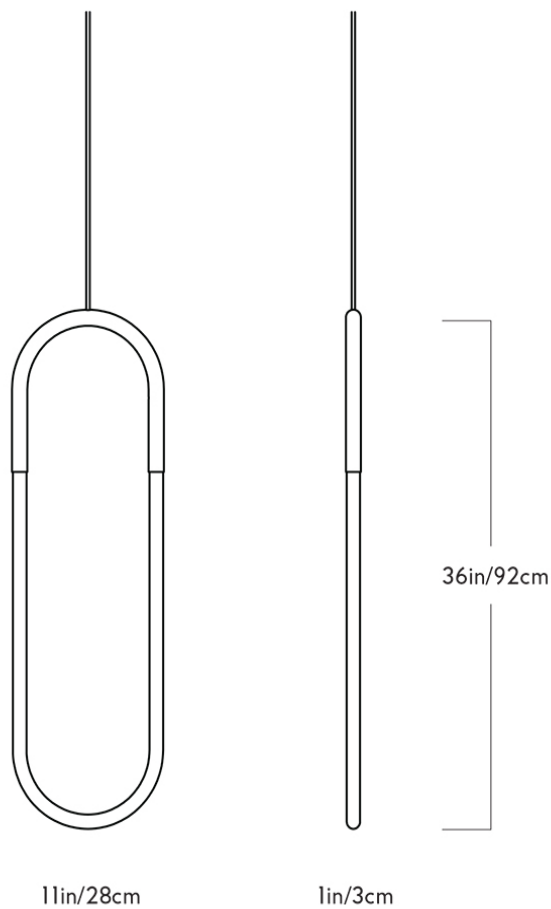
RUDI LOOP 02

LUKAS PEET FOR ROLL & HILL



RUDI LOOP 02

LUKAS PEET FOR ROLL & HILL



DESIGNER

Lukas Peet

MANUFACTURER

Roll & Hill

ORIGIN

United States

PRODUCTION

Made to Order

DATE

Designed in 2011

CERTIFICATIONS

UL, cUL (120V), CE (240V).

MATERIALS

Steel and glass with a satin brass finish.

DIMENSIONS

W 11" x D 1" x H 36"

ILLUMINATION

Integrated LED (120V/240V): 11 Watts, 840 Lumens, 2700 Kelvin, 90 CRI, 50,000 Hours Bulb Life, Triac, ELV or 0-10 Dimming.

SUSPENSION

Ships with 8' cord.

CANOPY

5" round in matching metal finish.